

## CU1526 / CU2026 - 150 lb / 200 lb Self-contained Ice Machine

### Prodigy<sup>®</sup> Undercounter Cuber with Storage



CU1526 / CU2026

### Features & Benefits

Prodigy<sup>®</sup> undercounter cubers use **significantly less energy and water** than other cube ice machines, exceeding Federal energy efficiency regulations.

**AutoAlert™ control panel** can communicate operating status and signal when it's time to descale, sanitize, and more—making upkeep easier.

The patented **WaterSense adaptive purge control** delivers maximum reliability by reducing scale buildup for a longer time between cleanings.

All external panel components are crafted for **optimal aesthetic appeal** through superior fit and finish.

**Preventative maintenance is simpler** than ever with easily-removed door, top panel and storage bin allowing clear access to all internal components and a diagnostic code display insuring the right fix the first time.

Front removable air filter.

### 24 Hour Volume Production

Air Cooled				Water Cooled		
70°F/21°C 50°F/10°C lb/kg	Air Water	AHRI 90°F/32°C 70°F/21°C lb/kg		70°F/21°C 50°F/10°C lb/kg	Air Water	AHRI 90°F/32°C 70°F/21°C lb/kg
150/68		110/50	CU1526	175/80		124/56
200/91		155/70	CU2026	240/109		190/83



Front Air Filter

### Cube Ice



**Small Cube**  
3/8" x 3/8" x 3/8"  
(2.22 x 2.22 x .95 cm)

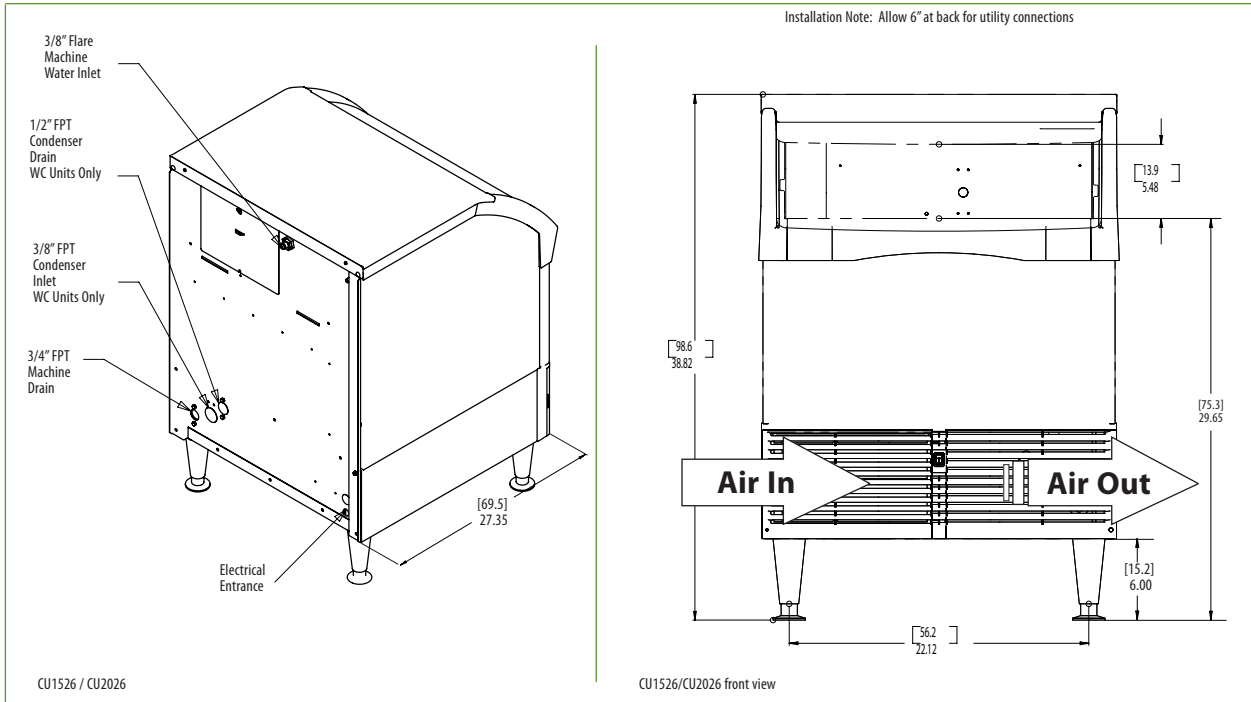
**Medium Cube**  
7/8" x 7/8" x 7/8"  
(2.22 x 2.22 x 2.22 cm)

Common ice form, ideal for mixed drinks.

### Warranty

- 3 years parts and labor on all components.
- 5 years parts and labor on the evaporator.
- 5 years parts on the compressor and condenser.

Warranty valid in North, South & Central America.  
Contact factory for warranty in other regions.



## Specifications

Model Number* <small>Cube Size: medium or small</small>	Condenser Unit	Storage lb/kg	Basic Electrical Volts/Hz/Phase	Max. Fuse Size or HACR Circuit Breaker (amps)	Circuit Wires	Min. Circuit Ampacity	Energy Consumption kWh/100 lb (45.4 kg) 90°F(32°C)/70°F(21°C)	Water Usage Gallons/100 lb (liters/45 kg)	
								Potable 90°F(32°C)/70°F(21°C)	Condenser 90°F(32°C)/70°F(21°C)
CU1526MA-1	Air	80/36	115/60/1	15	2	Cord	11.5	18.0/68.2	-
CU1526MW-1	Water	80/36	115/60/1	15	2	Cord	8.8	18.0/68.2	160/606
CU1526SA-1	Air	80/36	115/60/1	15	2	Cord	11.5	18.0/68.2	-
CU1526SW-1	Water	80/36	115/60/1	15	2	Cord	8.8	18.0/68.2	160/606
CU2026MA-1	Air	80/36	115/60/1	15	2	Cord	9.7	18.0/68.2	-
CU2026SA-1	Air	80/36	115/60/1	15	2	Cord	9.7	18.0/68.2	-
CU2026SW-1	Water	80/36	115/60/1	15	2	Cord	6.6	18.0/68.2	180/682

\* 208-230/60/1 Voltage - Substitute -32 in place of -1, i.e. CU2026MA-32A (CU2026 models only)

## All Models

Dimensions (W x D x H):  
 Unit: 26" x 27 3/8" x 33"\*  
 (66.0 x 69.5 x 83.8 cm)  
 \*Add 6" for legs

Shipping Carton:  
 29" x 30" x 37"  
 (73.7 x 76.2 x 94.0 cm)

Shipping Weight:  
 CU1526 - 150 lb / 68 kg  
 CU2026 - 175 lb / 80 kg

BTUs per hour:  
 CU1526 - 3,100  
 CU2026 - 3,900

## Accessories

Model Number	Description
KLP8S	Kit 6 inch legs SS
KPUFM26	Kit Prodigy undercounter floor mount 26 inch for CU1526 - CU2026 (adds .5" to height)

\* Scotsman recommends all ice machines have water filtration. See Scotsman Sanitation Matrix for details.

## Operating Requirements

	Minimum	Maximum
Air Temperatures	50°F (10°C)	100°F (38°C)
Water Temperatures	40°F (4.4°C)	100°F (38°C)
Remote Cond. Temps	-20°F (-29°C)	120°F (49°C)
Water Pressures	20 PSIG (1.4 bar)	80 PSIG (5.5 bar)
Electrical Voltage	-10%	+10%

Specifications and design are subject to change without notice.

Scotsman Ice Systems • 775 Corporate Woods Parkway • Vernon Hills, IL 60061

1-800-SCOTSMAN

Fax: 847-913-9844

E-mail: customer.relations@scotsman-ice.com

www.scotsman-ice.com