



S-Series 1000 Ice Cube Machine

Model

- SD-1002A
 SD-1003W
 SY-1004A
 SY-1005W
 SD-1092N
 SY-1094N



S-Series 1000
Ice Machine on B-570 Bin

Standard Features

- Up to 1,075 lbs. (488 kgs.) daily ice production
- CEE Tier 1 energy and water efficiency rating
- Only 30" (76.20 cm) wide
- Removable water distribution tube with no tools
- Food zone designed with soft, round, cove corners
- Patented cleaning and sanitizing technology
- Select components made with AlphaSan® antimicrobial
- Hinged front door for easy access

Warranty

- 5-year parts and 5-year labor coverage on ice machine evaporator.
- 5-year parts and 3-year labor coverage on ice machine compressor
- 3-year parts-and-labor coverage on all other ice machine, dispenser, and storage bin components

Specifications

BTU Per Hour:

17,000 (average) 21,000 (peak)

Compressor:

Nominal rating: 2 HP

Cupra-Nickel Condenser:

(Water-cooled models)

Adds protection from corrosive water elements

Operating Limits:

- Ambient Temperature Range: Air and water-cooled: 35° to 110°F (1.7° to 43.3°C)
Remote: -20° to 120°F (-29° to 49°C)
- Water Temperature Range: 35° to 90°F (1.7° to 32.2°C)
- Water Pressure Ice Maker
Water In:
Min. 20 psi (137.9 kPA)
Max. 80 psi (551.1 kPA)
- Condenser Inlet Water In: (Water cooled only)
Min. 20 psi (137.9 kPA)
Max. 150 psi (1,034.2 kPA)

Ice Machine Electric

208-230/60/1 standard. (208-230/60/3 and 230/50/1 also available.)

Minimum circuit ampacity:

Air-cooled:	17.3 1ph	10.6 3ph
Water-cooled:	16.3 1ph	9.6 3ph
Remote:	15.7 1ph	10.6 3ph

Maximum fuse size:

Air-cooled, Water-cooled: 30 amps 1ph 15 amps 3ph

Remote: 25 amps 1ph 15 amps 3ph

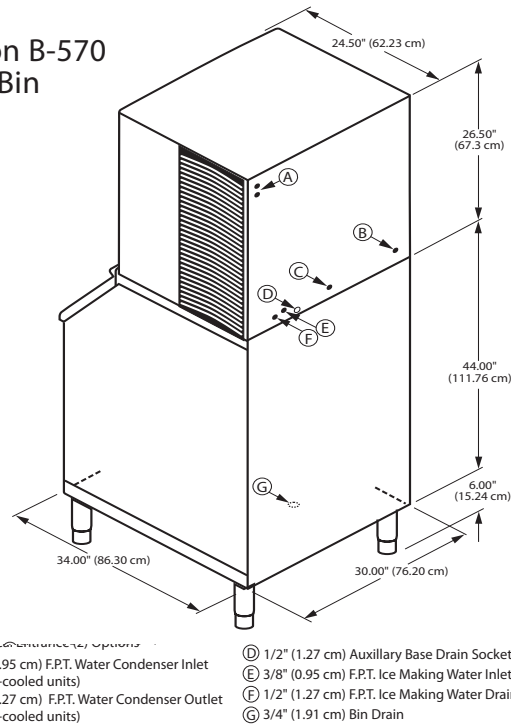
HACR-type circuit breakers can be used in place of fuses.





S-Series 1000 Ice Cube Machine

S-1000 on B-570 Storage Bin



- ⓐ 3/8" (0.95 cm) F.P.T. Water Condenser Inlet (water-cooled units)
- ⓑ 1/2" (1.27 cm) F.P.T. Water Condenser Outlet (water-cooled units)
- ⓒ 3/8" (0.95 cm) F.P.T. Ice Making Water Inlet
- ⓓ 1/2" (1.27 cm) F.P.T. Ice Making Water Drain
- ⓔ 1/2" (1.27 cm) Auxillary Base Drain Socket
- ⓕ 3/4" (1.91 cm) Bin Drain

Installation Note
Minimum installation clearance: Top/sides: 8" (20.32 cm); Back is 5" (12.7 cm)

Space-Saving Designs



	S-1000 B-570	S-1000 B-970*
Height	76.50" 194.30 cm	76.50" 194.30 cm
Width	30.00" 76.20 cm	48.00" 121.92 cm
Depth	34.00" 86.30 cm	34.00" 86.30 cm
Bin Storage	430 lbs. 195 kgs.	710 lbs. 322.2 kgs.

Height includes adjustable bin legs 6.00" to 8.00", (15.24 to 20.32 cm) set at 6.00" (15.24 cm).

*K-00370 bin adapter required.

Model	Ice Shape	Ice Production 24 Hours				Power kWh/100 lbs. @ 90°/70°F			
		70° Air/50°F Water		90° Air/70°F Water		1 ph	CEE+ Rating	3 ph	CEE+ Rating
SD-1002A	dice	1,050	476	840	381	5.5	Tier 1	5.5	Tier 1
SD-1003W	dice	1,000	454	955	433	4.3	Tier 1	4.3	Tier 1
SY-1004A	half-dice	1,050	476	840	381	5.5	Tier 1	5.5	Tier 1
SY-1005W	half-dice	1,075	488	960	435	4.3	Tier 1	4.3	Tier 1
Remote Air-Cooled with JC-0895A condenser									
SD-1092N	dice	1,030	467	870	395	5.2	Tier 1	5.2	Tier 1
SY-1094N	half-dice	1,060	481	920	417	5.2	Tier 1	5.2	Tier 1
Water usage/100 lbs./45.4 kgs. of Ice									
Potable Water: 18 gallons, 68 liters • Water-cooled Condenser: 160 gallons, 625 liters									

Order ice storage bin separately. "A" or "W" following model number indicates "Air" or "Water" condensing unit. Ice storage bin and JC-0895A remote condenser must be ordered separately. Consult remote condenser specification sheet for details. To order 3 phase add "3" suffix to model # (SD-1002A3).

†Consortium for Energy Efficiency (CEE) is a North American nonprofit organization that promotes energy-efficient products, technologies and services; also the principal entity for the development of ice maker efficiency standards.

Ice Shape

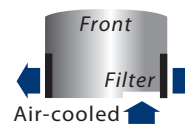


Half Dice
3/8" x 1/8" x 7/8"
(.95 x 2.86 x 2.22 cm)



Dice
7/8" x 7/8" x 7/8"
(2.22 x 2.22 x 2.22 cm)

Air Flow Top View



AuCS®SI Accessory



Automatic Cleaning System purchased factory installed in the machine or as an option for field retrofit.