



Project Name: \_\_\_\_\_

Location: \_\_\_\_\_

Item #: \_\_\_\_\_ Qty: \_\_\_\_\_

Model: \_\_\_\_\_

# MIM250 / MIM265H SELF-CONTAINED ICE MACHINES

MODEL:  MIM250  MIM265H



The MIM250 and MIM265H self-contained, air-cooled ice machines are perfect for bars, kitchens, or any application requiring high-volume ice-making capability. Each unit features a self-contained storage bin and a durable, easy to clean stainless steel and black plastic trim exterior. The easy-to-use controls, front-breathing design with vertical evaporator and proven ice making technology will deliver years of reliable ice production.

## FEATURES AND CONSTRUCTION

- Stainless steel exterior with black plastic trim
- Air cooled compressor
- Programmable, solid state, digital electronic control system.
- Built-in self cleaning mode
- Automatic shut off / overflow protection
- Includes scoop
- Includes tubing for supply and drain lines

## DAILY ICE PRODUCTION

Air Temp 70°F (21°C) / Water Temp 50°F (10°C)

MIM250..... 260 lbs (118 kg)

MIM265H..... 265 lbs (120 kg)

Air Temp 90°F (32°C) / Water Temp 70°F (21°C)

MIM250..... 210 lbs (95 kg)

MIM265H..... 215 lbs (97.5 kg)

## ICE BIN STORAGE CAPACITY

MIM250/265H ..... 75 lbs (34 kg)

## OPERATING REQUIREMENTS

Ambient Air Temperature Range..... 50° to 100°F (10° to 38°C)

Water Temperature Range ..... 41° to 90°F (5° to 32°C)

Water Usage per 100 lbs of ice..... 21 Gallons (79L)

Water Supply Line Connection ..... 3/8" FPT

Water Pressure Range:

Min PSI..... 15                      Max PSI .....80\*

Min Bar ..... 1.0                    Max Bar.....5.5

\*Above 80 PSI requires a regulator

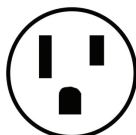
Energy Consumption per 100 lbs of ice:

MIM130..... 7.25 kWh/100 lbs

MIM265H..... 7.14 kWh/100 lbs

## ELECTRIC

115V / 60Hz / 1Ph  
(230V / 50-60Hz / 1Ph is available as an option)  
6' (2m) NEMA 5-15P cord set included



NEMA 5-15P

## 3RD PARTY APPROVALS



Certified to ANSI NSF 12



Certified to ANSI UL 563



DOE 2018 Compliant



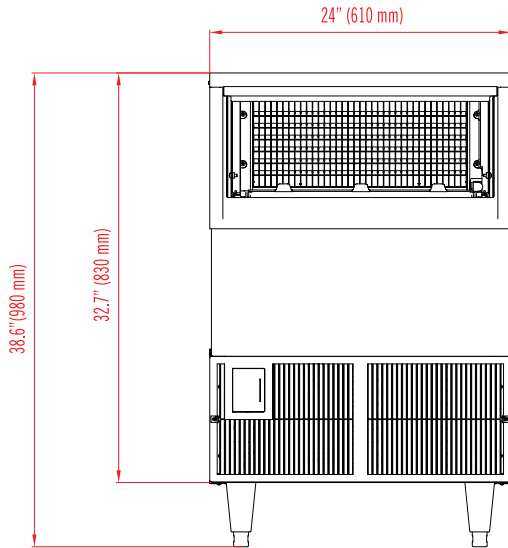
Zero Ozone Depletion Potential

## MAXX ICE WARRANTY (USA / CANADA)

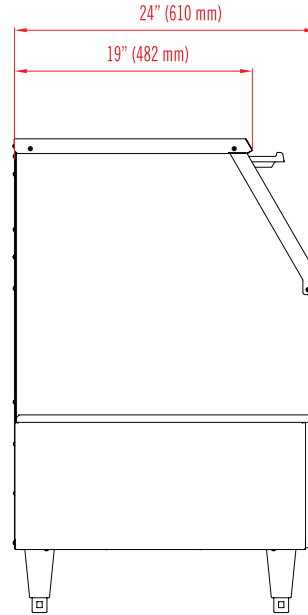
Contact Maxx Ice for warranty statement at  
TechnicalServices@TheLegacyCompanies.com or 877.368.2797



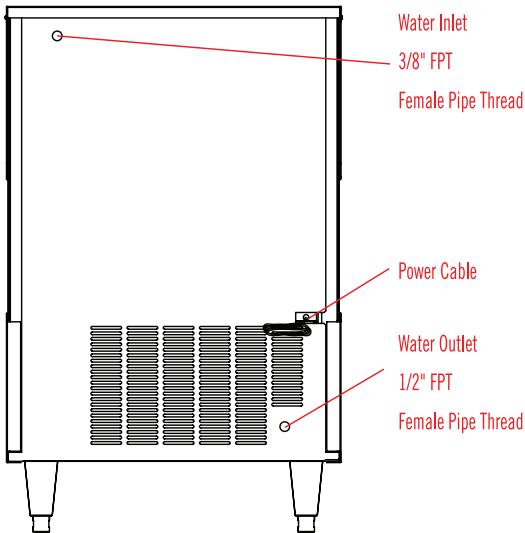
FRONT VIEW



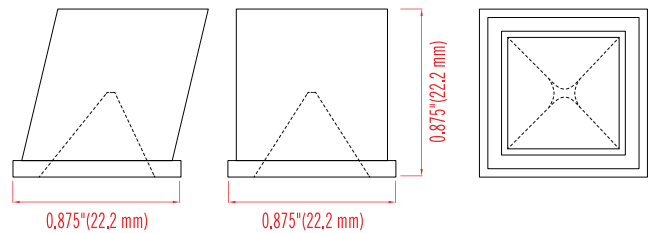
SIDE VIEW



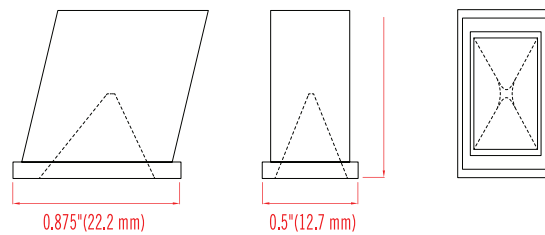
REAR VIEW



FULL DICE CUBE (MIM250)



HALF DICE CUBE (MIM265H)



| MODEL   | EXTERNAL DIMENSIONS                       | DAILY ICE PRODUCTION (70°F Air / 50°F Water) | ICE BIN STORAGE CAPACITY | NET WEIGHT / SHIPPING WEIGHT         | AMP DRAW (NOMINAL/MAX) | REFRIGERANT AND CHARGE SIZE | ELECTRICAL        |
|---------|-------------------------------------------|----------------------------------------------|--------------------------|--------------------------------------|------------------------|-----------------------------|-------------------|
| MIM250  | 24" x 24" x 38.6"<br>(610 x 610 x 980 mm) | 260 lbs (118 kg)                             | 75 lbs (34kg)            | 144 lbs (65 kg)<br>160 lbs (72.5 kg) | 9.2A / 12A             | R-404a<br>22.9oz (649g)     | 115V / 60Hz / 1Ph |
| MIM265H | 24" x 24" x 38.6"<br>(610 x 610 x 980 mm) | 265 lbs (120 kg)                             | 75 lbs (34kg)            | 144 lbs (65 kg)<br>160 lbs (72.5 kg) | 9.2A / 12A             | R-404a<br>22.9oz (649g)     | 115V / 60Hz / 1Ph |

### INSTALLATION

- A clearance of 2" from the wall is recommended to promote adequate cooling air circulation
- A gravity drain line is required to install this ice machine
- For optimal performance, the use of a water filter is recommended