



Project Name: _____

Location: _____

Item #: _____ Qty: _____

Model: _____

30" MODULAR ICE MACHINES

MODEL: MIM915H MIM1000



Maxx Ice modular, air-cooled ice machines are designed for high volume ice production application. The modular units are compatible with most ice storage bins and beverage dispensers. Available in both full or half dice cubes, these units feature a stainless steel exterior for easy cleaning and superior durability. The vertical evaporator and proven ice making technology will deliver years of reliable ice production.

FEATURES AND CONSTRUCTION

- Stainless steel exterior
- Air-cooled compressor
- Automatic cleaning cycle
- Units are stackable for increased ice production (optional adapter is required)

DAILY ICE PRODUCTION

Air Temp 70°F (21°C) / Water Temp 50°F (10°C)

MIM915H..... 915 lbs (415 kg)

MIM1000H..... 1000 lbs (454 kg)

Air Temp 90°F (32°C) / Water Temp 70°F (21°C)

MIM915H..... 800 lbs (362 kg)

MIM1000..... 800 lbs (362 kg)

OPERATING REQUIREMENTS

Ambient Air Temperature Range..... 50° to 100°F (10° to 38°C)

Water Temperature Range..... 41° to 90°F (5° to 32°C)

Water Usage per 100 lbs of ice..... 16 Gallons (60.6L)

Water Supply Line Connection 3/8" FPT

Water Pressure Range:

Min PSI..... 15 Max PSI80*

Min Bar 1.0 Max Bar.....5.5

*Above 80 PSI requires a regulator

Energy Consumption per 100 lbs of ice:

MIM915H..... 5.8 kWh/100 lbs

MIM1000..... 5.8 kWh/100 lbs



Designed to fit with the Maxx Ice BIN650 and BIN950 Bins (sold separately)

ELECTRIC

230V / 60Hz / 1Ph

Hard-wired installation is required



NEMA L14-20

3RD PARTY APPROVALS



Intertek

Certified to ANSI NSF 12



Intertek

Certified to ANSI UL 563



DOE 2018 Compliant

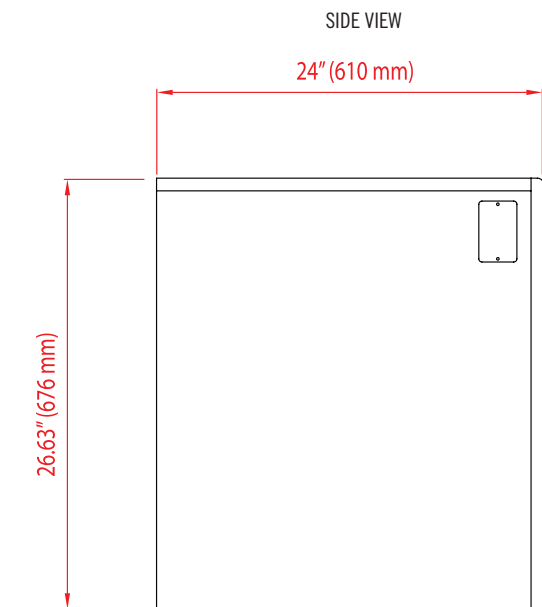
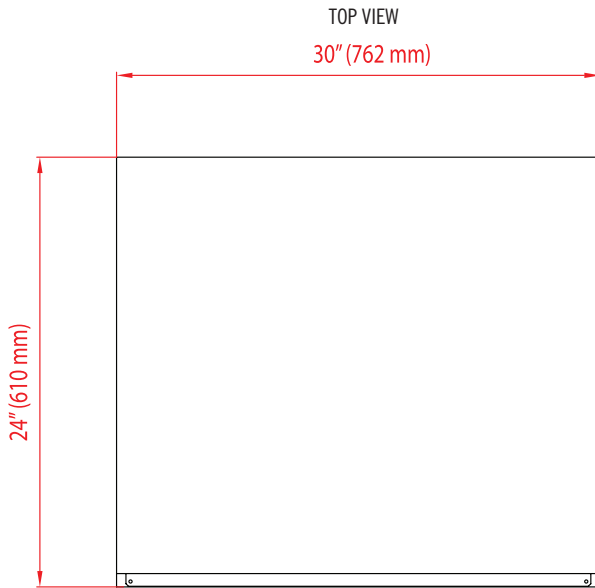
MAXX ICE WARRANTY (USA / CANADA)

Contact Maxx Ice for warranty statement at
TechnicalServices@TheLegacyCompanies.com or 877.368.2797

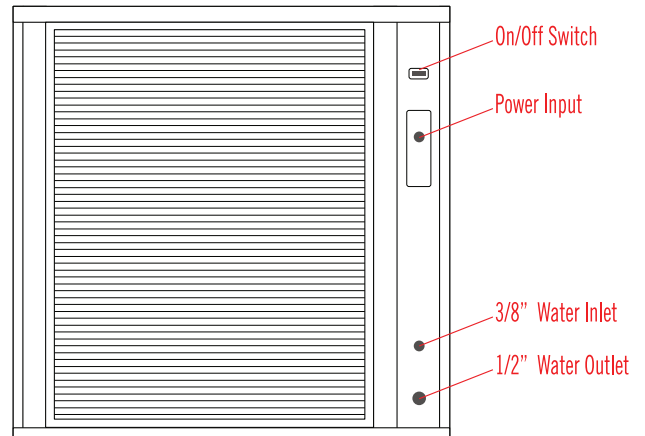


MAXX ICE

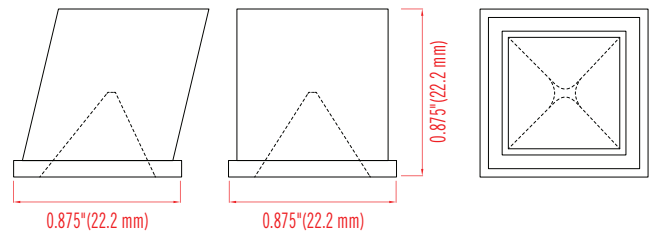
30" MODULAR ICE MACHINES



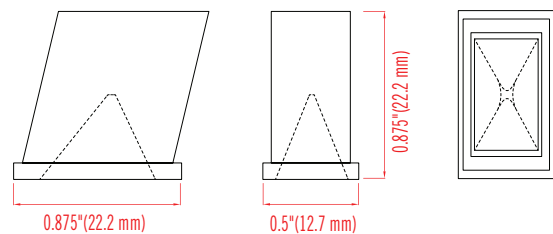
REAR VIEW



FULL DICE CUBE (MIM1000)



HALF DICE CUBE MIM915H)



MODEL	EXTERNAL DIMENSIONS	DAILY ICE PRODUCTION (70°F Air / 50°F Water)	COMPATIBLE MAXX ICE STORAGE BINS	NET WEIGHT / SHIPPING WEIGHT	AMP DRAW (MAKING / HARVESTING)	REFRIGERANT AND CHARGE SIZE	ELECTRICAL
MIM915H	30" x 24" x 26.63" (762 x 610 x 676 mm)	915 lbs (415 kg)	BIN650 / BIN950	194 lbs (88 kg) 208 lbs (94 kg)	9.2A / 11.3A	R-404a 57.14 oz (1620 g)	230V / 60Hz / 1Ph
MIM1000	30" x 24" x 26.63" (762 x 610 x 676 mm)	1000 lbs (454 kg)	BIN650 / BIN950	194 lbs (88 kg) 208 lbs (94 kg)	9.2A / 11.3A	R-404a 57.9 oz (1641 g)	230V / 60Hz / 1Ph

INSTALLATION

- A clearance of 2" from the wall is recommended to promote adequate cooling air circulation
- A gravity drain line is required to install this ice machine
- For optimal performance, the use of a water filter is recommended