

SCOTSMAN

MODULAR AIR, WATER, REMOTE COOLED FLAKE ICE MACHINE



FME804

VOLUME PRODUCTION • 24 HOUR

| Based on Air/Water Temperatures | Air-Cooled | | Water-Cooled | | Remote | |
|---------------------------------|------------------|------------------|------------------|------------------|------------------|------------------|
| | 70°/50° lbs./kg. | 90°/70° lbs./kg. | 70°/50° lbs./kg. | 90°/70° lbs./kg. | 70°/50° lbs./kg. | 90°/70° lbs./kg. |
| FME804-1B | 760/342 | 595/270 | 810/367 | 650/295 | 685/311 | 625/284 |

SCOTSMAN'S NEW FLAKED ICE MACHINES with AutoSentry™

- AutoSentry™ Monitoring System constantly checks workload on gearbox shutting down system before a problem develops preventing costly repairs.
- Electrical conductivity water sensor eliminates low or no water failures and cannot be affected by adverse water conditions.
- Plastic drain pan with larger outlet provides greater ability to quickly channel water away preventing particulate build-up and rust.
- Rust and restriction free drain system features one-piece plastic drain tubes with larger ID for obstruction-free water flow.
- Durable, high grade stainless steel construction with massive, self-aligning spherical roller bearings; patented double-flight auger that evenly distributes the load; and heavy duty direct drive gearbox for high reliability and long life.

WARRANTY See your dealer for complete warranty details.

- 3 years parts on all components.
- 3 years labor on all components.
- 5 years parts on compressor

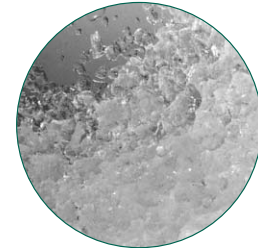
BIN OPTIONS:



BIN: HTB350



BIN: HTB555



FLAKED ICE

Inexpensive to produce, used in produce and fish displays.

SCOTSMAN MODULAR BINS

Certified & rated in accordance with ARI standard 820-95

| Model Number | Dimensions W"x D"x H" | ARI Bin Capacity | Application Capacity | Finish | Ship Weight lbs./kg. |
|--------------|-----------------------|------------------|----------------------|----------|----------------------|
| HTB250 | 30 x 31.5 x 22.5 | 190 | 250 | HTB | 80/36 |
| HTB350 | 30 x 31.5 x 29.5 | 250 | 350 | HTB | 90/41 |
| HTB555 | 30 x 34.5 x 44.5 | 420 | 535 | HTB | 110/50 |
| BH550S-C | 30 x 31.5 x 44 | 410 | 520 | SS | 140/64 |
| BH801S-A* | 42 x 31.5 x 44 | 580 | 740 | SS | 165/75 |
| BH900S-C* | 48.2 x 33.75 x 44 | 740 | 940 | SS | 185/84 |
| BH1100 | 48 x 34 x 50 | 860 | 1100 | BB or SS | 280/127 |
| BH1300** | 60 x 34 x 50 | 1100 | 1400 | BB or SS | 310/141 |
| BH1600** | 60 x 34 x 60 | 1250 | 1600 | BB or SS | 410/186 |

Add 6" to Height for Legs

(HTB) Grey Polyethylene Exterior and Interior
(SS) Stainless Steel with Polyethylene Liner.

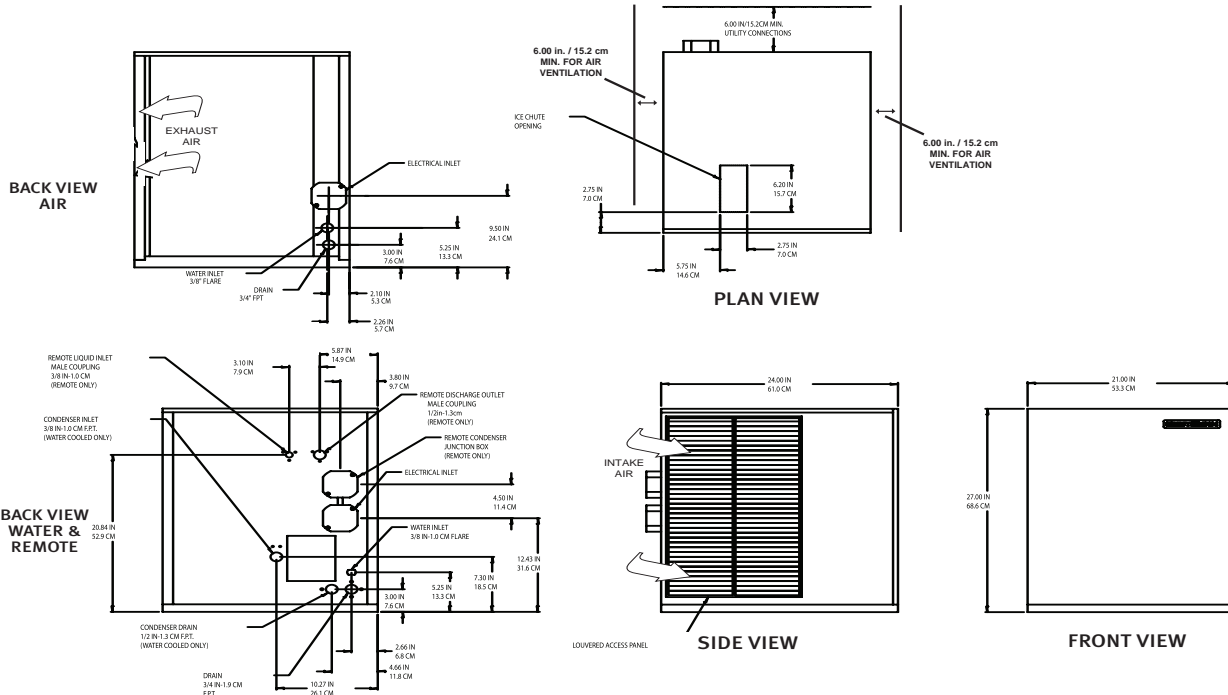
*See Price Schedule for Bintops
**Accepts 1 or 2 Units Side by Side

CERTIFIED
 ISO
9001:2000

This product qualifies for the following listings:
 UL US NSF
Rated in accordance with ARI standard 820-95

Scotsman®

Ice Machine Specifications



All models: Dimensions: W x D x H Unit: 21" x 24" x 27" Shipping Carton: 28" x 25" x 32"

| Model Number | Condenser Unit | Basic Electrical Volts/Hz/Phase | Max. Fuse Size or HACR Circuit Breaker | Comp. HP | Circuit Wires | Min. Circuit Ampacity | Shipping Weight lbs./kg. | Power Consumption KWH/100 lbs. 90°F/70° F | Water Usage Gallons/100 lbs. | |
|--------------|----------------|---------------------------------|--|----------|---------------|-----------------------|--------------------------|---|------------------------------|----------------------|
| | | | | | | | | | Potable 90°F/70° F | Condenser 90°F/70° F |
| FME804AS-1B | AIR | 115/60/1 | 30 | 3/4 | 2 | 19.5 | 205/93 | 4.9 | 12 | - |
| FME804WS-1B | WATER | 115/60/1 | 30 | 3/4 | 2 | 18.3 | 200/91 | 3.8 | 12 | 82.3 |
| FME804RS-1B | REMOTE | 115/60/1 | 30 | 3/4 | 2 | 22.5 | 220/100 | 6.2 | 12 | - |

All units with Stainless Steel finish.
Refrigerant: R-404A.

REMOTE CONDENSER—Comes with adjustable legs
Dimensions: W x D x H: 24.00" x 44.25" x 29.25"

| Model Number | For Use With | Cond. Unit | Finish Basic | Electrical Volts/Hz/Phase | No. of Wires | Min. Circuit Ampacity | Max Fuse Size or HACR Circuit Breaker |
|--------------|--------------|------------|--------------|---------------------------|--------------|-----------------------|---------------------------------------|
| ERC101-1A | (1) FME804 | Air | Galvanized | 115/60/1 | 2 | 6.0 | 15 |

PRE-CHARGED REFRIGERANT TUBE KITS: 10-Foot, RTE10 • 25-Foot, RTE25 • 40-Foot, RTE40 • 75-Foot, RTE75, Refrigerant: R-404A.

Scotsman's ice machines are not designed for outdoor installations. Scotsman remote condensers are designed for outdoor installations.

Machine requires voltage indicated on rating name plate. Failures caused by improper voltage are not considered factory defects. Extended periods of operation at temperatures exceeding limitations constitutes misuse under the terms of Scotsman Manufacturer's Limited Warranty, resulting in a loss of warranty coverage. Specifications and design are subject to change without notice.

IMPORTANT OPERATING REQUIREMENTS:

| | Minimum | Maximum |
|--------------------|-----------------|----------------|
| Air Temperatures | 50°F (10°C) | 100°F (37.7°C) |
| Water Temperatures | 40°F (4.4°C) | 100°F (37.7°C) |
| Remote Cond. Temps | -20°F (-28.9°C) | 120°F (48.9°C) |
| Water Pressures | 20 PSIG | 80 PSIG |
| Electrical Voltage | -5% | +10% |

Consult Your Local SCOTSMAN Representative At:

YOU'LL VALUE THE DIFFERENCE.™

775 Corporate Woods Parkway • Vernon Hills, IL 60061 • 1-800-SCOTSMAN • Fax: (847) 913-9844
Visit our website at: www.scotsman-ice.com • E-mail: customer.service@scotsman-ice.com

Scotsman®