

# Franklin Chef®

## **FIM1000**

### 1000-lb Commercial Ice Machine



Produces  
up to  
**1000 lbs**  
ice daily

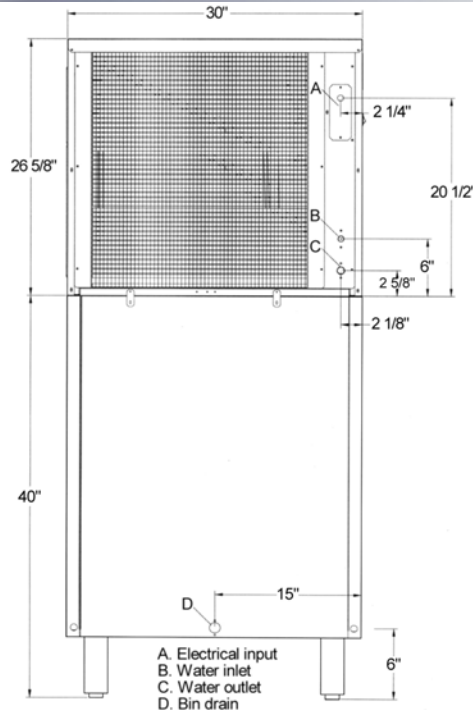
*Shown with  
optional storage bin,  
model FB400*

#### **FEATURES :**

- ▶ Up to 1000 lbs ice production per day
- ▶ Clear, hard, cube-shaped ice
- ▶ Stainless steel construction
- ▶ Ice machine has recessed handles for easy handling
- ▶ Air cooling: air in from back, out from side
- ▶ Free-standing or built-in applications
- ▶ Electronic controls

**Ice Machines**

# Franklin Chef®



## Model FIM1000 Commercial Ice Machine



	FIM1000
Description	Ice machine
Power supply	230VAC ~ 60Hz
Power consumption	5.4 kW·h/100 lbs ice
Ice-making/-harvest rated current	9.2A / 11.3A
Ice production	1,002 lbs/day* / 795 lbs/day**
Ice cube shape	Cube
Ice cube size, in.	7/8 x 1 x 3/4
Unit size, in.	30W x 24D x 26 5/8H
Unit weight, lbs.	194
Packed size, in.	32 1/4W x 26 1/8D x 33 7/8H
Packed weight, lbs.	208
Refrigerant	R404A, 52.9 oz
High/Low side pressure	400psig/190psig
Inlet water pipe	3/8"
UPC number	719530 21115 1
20' container	46 (two layers)
40' container	100 (two layers)
40'HQ container	150 (three layers)

\* at 70°F air / 50°F water    \*\* at 90°F air / 70°F water

Franklin Industries, L.L.C., 4100 First Avenue, Brooklyn, NY 11232-3321  
Phone: 718.499.0020 Fax: 718.499.6494 [www.franklinchef.com](http://www.franklinchef.com)

Specifications and design subject to change without notice.

Ice Machines