

# Gravity Soft Serve Freezer

## Model 66TF

The "twin serve" head with its three spigots will dispense two separate flavors or the popular twist cone, a combination of two flavors. The Model 66TF has been designed to occupy a minimum of floor space. It is ideal for dispensing soft serve, yogurt, frozen custard, sherbet and other treats.

## Special Features

### Dispensing Head

The finest in insulating materials... no frost or sweating. Easy pull down handle.

### Beater Blades

Plastic, durable & long wearing.

### Two 16-Quart Mix Hoppers

Insulated for minimum cold loss with separate refrigeration controls.

### Freezing Cylinder

Two 3 quart honed and highly polished stainless steel...foam insulated.

### Refrigeration

Two 2.0 h.p. compressors...permits fast freeze down, quick recovery and high volume capacity.

### Mix Feed

Specially designed to maintain optimum overrun.

### Mix Level Indicator

Flashing light automatically tells operator when mix is needed.

### Night Switch

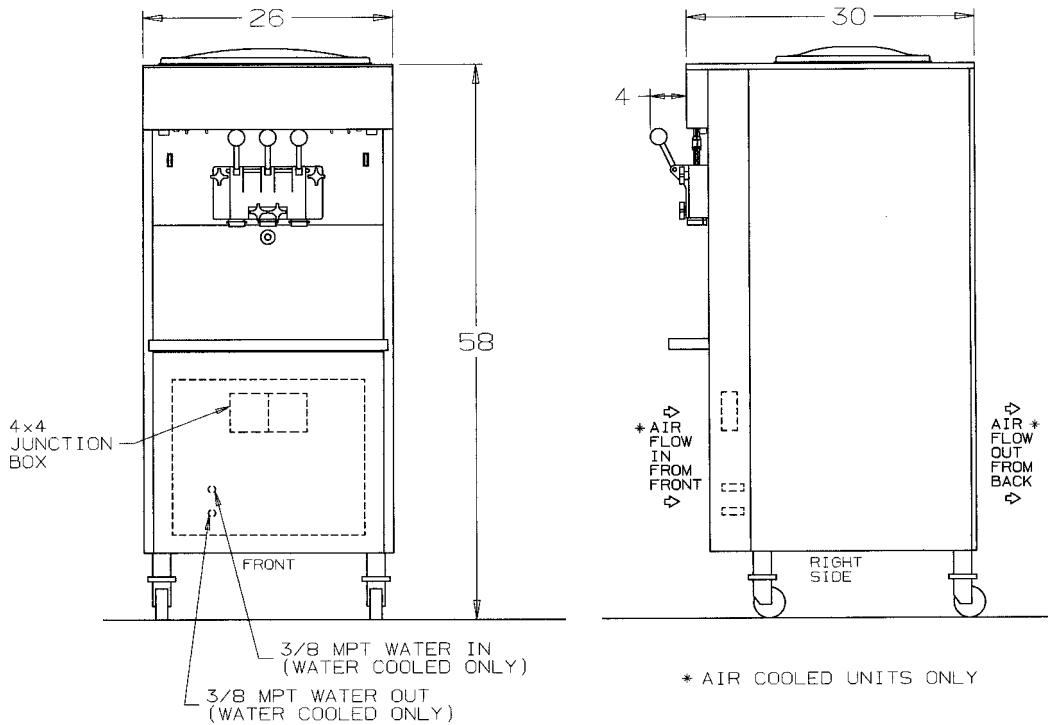
Provides controlled refrigeration of product during night or any non-business period...reduced energy consumption... reduces product deterioration.



Model 66TF

# ELECTRO FREEZE®

## Plumbing & Electrical Connections



## Model 66TF

### SPECIFICATIONS

All specifications subject to change without notice.

MODEL NO.	MOTOR H.P.		DIMENSIONS			NET WT.	TOTAL AMPS @ 208 OR 230V			
	Beater	Compressor	D.	W.	H.		1 Phase Water	1 Phase Air	3 Phase Water	3 Phase Air
66TF	Two 1.5	Two-2 HP 9500 BTU (ea)	30" 76 CM	26" 66 CM	58" 147 CM	551 lbs. 250 KG	36.9	39.4	22.3	24.8
							MINIMUM CIRCUIT AMPACITY			
							(2) 30	(2) 30	(2) 15	(2) 20

Self contained air or water cooled.

REFRIGERANT: R404a

MIX HOPPER CAPACITY: 16 quarts each, 32 quarts total

WIRING - 208/230 Volt A.C., single phase, 60 Hz 2 wire; 208/230 Volt A.C.,

3 Phase, 60 HZ 3 wire

Electrical characteristics other than above available on request.

### Authorized Distributor

## division of H.C. DUKE & SON, INC.

2116 - 8th Avenue • East Moline, Illinois 61244

Phone (309) 755-4553 • (800)755-4545

Fax (309) 755-9858

E-mail: sales@electrofreeze.com • www.electrofreeze.com

Certified and/or listed by:



\*Listed by Underwriters Laboratories under Canadian National Standard C22.2 No. 120-M91