

SCOTSMAN

UNDERCOUNTER COMPACT FLAKER WITH STORAGE

A F E 4 0 0

VOLUME PRODUCTION • 24 HOUR



Based on Air/Water Temperatures	Air-Cooled		Water-Cooled	
	70°/50° lbs.	90°/70° lbs.	70°/50° lbs.	90°/70° lbs.
AFE400-1	395/179	300/160	395/179	310/141

DEPENDABLE PERFORMANCE IN ANY CONDITION

- Delivers steady flow of ice for fast recovery of ice supply.
- 7-ft. power cord for quick installation.
- Completely serviceable from the front side.
- 3-piece cabinet is easily removable from front.
- Rear utility connections.
- Cabinet constructed of durable rust-free rotocast plastic.

WARRANTY *See your dealer for complete warranty details.*

- 2 years parts on all components.
- 2 years labor on all components.
- 5 years parts on compressor.



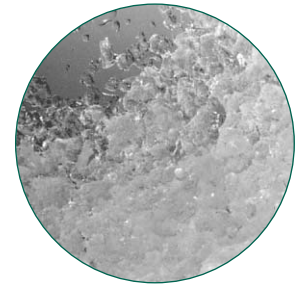
UNDERCOUNTER INSTALLATION

Adapts to numerous under-counter applications. Fits under any 40" counter.



SLIDE AWAY ACCESS DOOR

Provides convenient and easy access to ice.



FLAKED ICE

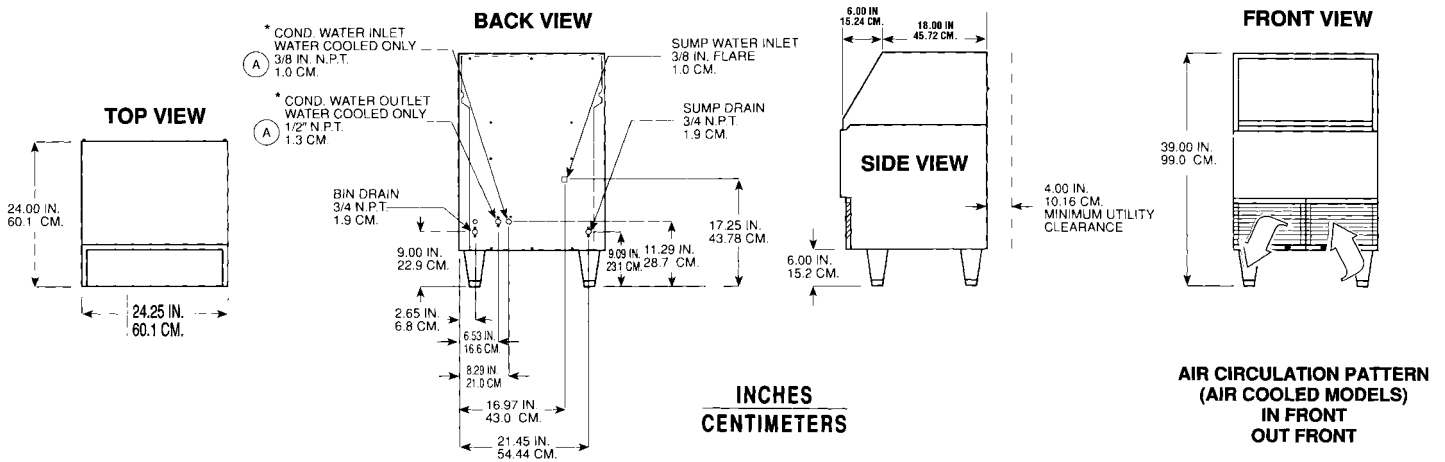
Inexpensive to produce, used in produce and fish displays.

CERTIFIED
ISO
9001:2000

This product qualifies for the following listings:
 

Scotsman[®]

Ice Machine Specifications



INSTALLATION NOTE: Allow 6" minimum space at back for utility connections.

All models: Dimensions: W x D x H without legs (Add 6" height for legs): Unit: 24¹/₄" x 24" x 33" Shipping Carton: 27" x 27¹/₂" x 38"

Model Number	Condenser Unit	Bin Cap. lbs./kg.	Basic Electrical Volts/Hz/Phase	Max. Fuse Size or HACR Circuit Breaker	Comp. HP	Circuit Wires	Min. Circuit Ampacity	Shipping Weight lbs./kg.	Power Consumption KWH/100 lbs. 90°F/70° F	Water Usage Gallons/100 lbs. 90°F/70° F	
										Potable	Condenser
AFE400A-1C	AIR	80/36	115/60/1	15	1/4	2	CORD	185/84	5.4	12.0	-
AFE400W-1C	WATER	80/36	115/60/1	15	1/4	2	CORD	185/84	5.0	12.0	131.0

Finish: Rotocast grey plastic.
Refrigerant R-134A.

LEGS SUPPLIED:

Four black plastic legs screw into mounting plates on cabinet base. Provide 6" minimum height including adjustable leveling foot.

Scotsman's ice machines are not designed for outdoor installations. Scotsman remote condensers are designed for outdoor installations.

Machine requires voltage indicated on rating name plate. Failures caused by improper voltage are not considered factory defects. Extended periods of operation at temperatures exceeding limitations constitutes misuse under the terms of Scotsman Manufacturer's Limited Warranty, resulting in a loss of warranty coverage. Specifications and design are subject to change without notice.

Consult Your Local SCOTSMAN Representative At:

IMPORTANT OPERATING REQUIREMENTS:

	Minimum	Maximum
Air Temperatures	50°F (10°C)	100°F (37.7°C)
Water Temperatures	40°F (4.4°C)	100°F (37.7°C)
Water Pressures	20 PSIG	80 PSIG
Electrical Voltage	-5%	+10%

YOU'LL VALUE THE DIFFERENCE™

775 Corporate Woods Parkway • Vernon Hills, IL 60061 • 1-800-SCOTSMAN • Fax: (847) 913-9844
 Visit our website at: www.scotsman-ice.com • E-mail: customer.service@scotsman-ice.com

Scotsman®