

Q-Model Series 280 Ice Cube Machine

Offers greater ice production up to
◆ **28% more for air-cooled models**
◆ **11% more for water-cooled models**



*Q-Model Series 280
Ice Machine on S-170 Bin*

- **Up to 290* lbs. (132 kgs.) daily ice production**
*Production rating outside the scope of ARI Standard 820.
- **Stainless steel exterior with the fit and finish of an appliance**
- **Rugged, corrosion-free base**
- **Patented cleaning and sanitizing technology**
- **New batch water system delivers better ice cube formation**
- **R-404A CFC-free refrigerant**
- **Warranty**
 - 5-year parts and 5-year labor coverage on ice machine evaporator
 - 5-year parts and 3-year labor coverage on ice machine compressor
 - 3 year parts-and-labor coverage on all other ice machine, dispenser, and storage bin components



**ISO 9001
Quality
System
Certified**

THE RIGHT CLIMATE FOR LEADERSHIP

Manitowoc®

ICE CUBE MACHINES • ICE STORAGE BINS

Manitowoc Q-Model 280 Series

A seamless blend of thoughtful design, new technology and rugged construction.

Model	Cube size	Ice production lbs./Kgs. 24 hours	Power kWh/100 lbs.
QR-0280A	regular	210 lbs./95 Kgs.	10.0
QR-0281W	regular	230 lbs./106 Kgs.	7.9
QD-0282A	dice	225 lbs./102 Kgs.	9.3
QD-0283W	dice	250 lbs./113 Kgs.	7.2
QY-0284A	half-dice	225 lbs./102 Kgs.	9.3
QY-0285W	half-dice	250 lbs./113 Kgs.	7.2
Water usage/100 Lbs./45.4 Kgs. of Ice			
Potable Water: 34.8 gallons, 132 Liters			
Water-cooled Condenser: 196 gallons, 741 Liters			

- Order ice storage bin separately.
- "A" or "W" following model number indicates "Air" or "Water" condensing unit.



Certified in Accordance with ARI Automatic Commercial Ice-Cube Machines (Batch-Type) Certification Program, which is based on ARI Standard 810

Ice Machine Electric

115/60/1. (208-230/60/1 also available. For 230/50/1 see 50 cycle literature.)

Minimum circuit ampacity:

Air-cooled — 12.6 amps. Water-cooled — 11.7 amps.

Maximum fuse size:

Air and Water-cooled — 20 amps.

HACR-type circuit breakers can be used in place of fuses.

Specifications

BTU Per Hour:

3,800 (average) 6,000 (peak)

Compressor:

Nominal rating: 1/2 HP

Cupra-Nickel Condenser:

(Water-cooled models)

Adds protection from corrosive water elements.

Operating Limits:

• Ambient Temperature Range: 35°-110°F (1.7°-43.3°C)

• Water Temperature Range: 33°-90°F (0.6°-32.2°C)

• Water Pressure Ice Maker

Water In:

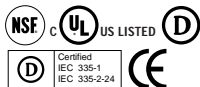
Min 20 psi (137.9 kPa)

Max 80 psi (551.1 kPa)

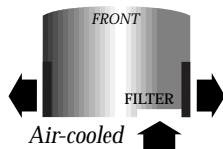
• Condenser Inlet Water In: (Water cooled only)

Min. 20 psi (137.9 kPa)

Max. 150 psi (1,034.2 kPa)



Air Flow Top View



AuCS® Accessory



AuCS® Automatic Cleaning System

3 Cube Sizes to Choose From



Half Dice
3/8" x 1 1/8" x 7/8"
(.95 x 2.86 x 2.22 cm)



Dice
7/8" x 7/8" x 7/8"
(2.22 x 2.22 x 2.22 cm)



Regular
1 1/8" x 1 1/8" x 7/8"
(2.86 x 2.86 x 2.22 cm)

24-HOUR PRODUCTION †								lbs./kgs.
AIR-COOLED UNIT				WATER-COOLED UNIT				
air temp	water temp			air temp	water temp			
°F	50°	70°	90°	°F	50°	70°	90°	
°C	10°	21°	32°	°C	10°	21°	32°	
70°	290	265	250	70°	290	260	235	
21°	132	120	113	21°	132	118	116	
80°	270	245	230	80°	285	255	230	
27°	123	111	104	27°	129	116	104	
90°	250	225	210	90°	280	250	225	
32°	113	102	95	32°	127	113	102	

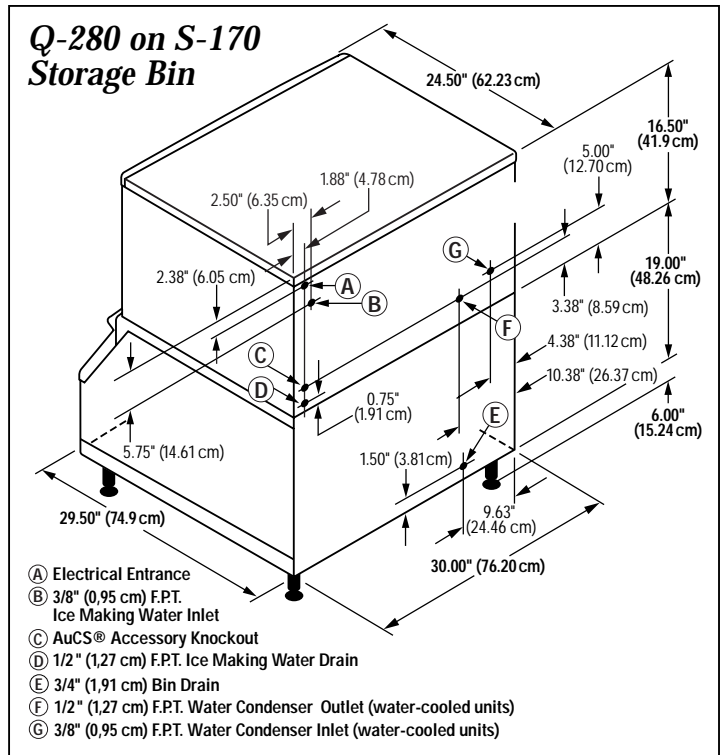
†Production for Dice and Half Dice cubes. Regular cube is 7% less than chart and kWh/100 lbs. increases 7%.

Space-Saving Designs



	Q-280 S-170	Q-280 S-400
Height	41.50" 105.41 cm	54.50" 138.43 cm
Width	30.00" 76.20 cm	30.00" 76.20 cm
Depth	29.50" 74.93 cm	34.00" 86.30 cm
Bin Storage	150 lbs. 68.1 kgs.	290 lbs. 131.7 kgs.

Height includes adjustable bin legs 6.00" to 7.00" (15.24 to 17.78 cm) set at 6.00" (15.24 cm). For comparison purposes multiply ARI capacity by 1.3 (30%) to arrive at approximate "Application Rating Capacity."



Installation Note - Minimum Installation Clearance: Top/Sides are 8" (20.32 cm), Back is 5" (12.7 cm).

THE RIGHT CLIMATE FOR LEADERSHIP

Consult your local Manitowoc Representative:

Manitowoc Ice, Inc.
2110 South 26th Street, P.O. Box 1720 • Manitowoc, WI 54221-1720, USA
Ph: 920-682-0161 • Fax: 920-683-7589
www.manitowocice.com

