

# Q-Model Series 270 Ice Cube Machine



Q-Model Series 270

- Up to 290 lbs. (132 kgs.) daily ice production
- Up to CEE Tier 2 energy and water use rating
- Only 30" (76.2 cm) wide, 28.16" (71.52 cm) deep, and 38.50" (97.79 cm) high on 6" (15.24 cm) legs
- 100 lb. (45.45 kg) ice storage capacity
- Slide up and in bin door tucks under ice machine top cover. Patented ice damper maximizes ice storage capacity
- Stainless steel exterior with the fit and finish of an appliance
- Patented cleaning and sanitizing technology
- R-404A CFC-free refrigerant
- Warranty
  - 5-year parts and 5-year labor coverage on ice machine evaporator
  - 5-year parts and 3-year labor coverage on ice machine compressor
  - 3-year parts-and-labor coverage on all other components

**CEE**  Energy Efficiency Ratings  
Specified on Back

**America's #1 Selling Ice Machine**

Ice Cube & Flake Machines • Ice Storage Bins • Ice Dispensers

**Manitowoc**  
Foodservice Group

# Manitowoc Q-Model 270 Series

Model	Ice Shape	Ice Production 24 hours				Power @ 90°/70°		CEE* Rating
		70° Air/50° Water		90° Air/70° Water		kWh/100 lbs.	CEE*	
		lbs.	kgs.	lbs.	kgs.			
QY-0274A	half-dice	280	127	215	98	9.0	Tier 2	
QY-0275W	half-dice	290	132	245	111	7.3	Tier 1	
QD-0272A	dice	280	127	215	98	9.0	Tier 2	
QD-0273W	dice	290	132	245	111	7.3	Tier 1	

Water usage/100 lbs./45.4 kgs. of ice  
 Potable Water: 33.5 gallons, 127 liters • Water-cooled Condenser: 167 gallons, 632 liters

\*A or "W" following model number indicates "Air" or "Water" condensing unit.

**Consortium for Energy Efficiency (CEE)** is a North American nonprofit organization that promotes energy-efficient products, technologies and services; also the principal entity for the development of ice maker efficiency standards.

 Certified in Accordance with ARI Ice Storage Bins Certification Program, which is based on ARI Standard 820

## Ice Machine Electric

115/60/1. (208-230/60/1 and 230/50/1 also available.) 115/60/1 ice machines are factory pre-wired with a 6' (180 cm) power cord and NEMA 5-15P-plug configuration. 208-230/60/1 ice machines are factory pre-wired with a 6' (180 cm) power cord only, no plug is supplied.

### Total Amps:

Air-cooled — 8.5 amps. Water-cooled — 7.7 amps.

### Maximum fuse size:

Air and Water-cooled — 15 amps.

HACR-type circuit breakers can be used in place of fuses.

## Specifications

### BTU Per Hour:

3,800 (average) 6,000 (peak)

### Compressor:

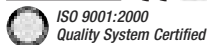
Nominal rating: 1/3 HP

### Cupra-Nickel Condenser:

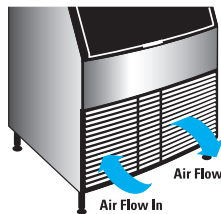
(Water-cooled models)  
 Adds protection from corrosive water elements.

### Operating Limits:

- Ambient Temperature Range: 35° to 110°F (1.7° to 43.3°C)
- Water Temperature Range: 33° to 90°F (0.6° to 32.2°C)
- Water Pressure Ice Maker Water In: Min. 20 psi (137.9 kPa) Max. 80 psi (551.1 kPa)
- Condenser Inlet Water In: (Water-cooled only) Min. 20 psi (137.9 kPa) Max. 150 psi (1,034.2 kPa)



## Air Flow Front View



Air in left, air out right, no side vents.

## Air Filter



Slides out from left side front without tools, easy to clean, reusable filter protects condenser from lint, grease and dust.

## 2 Cube Sizes Available



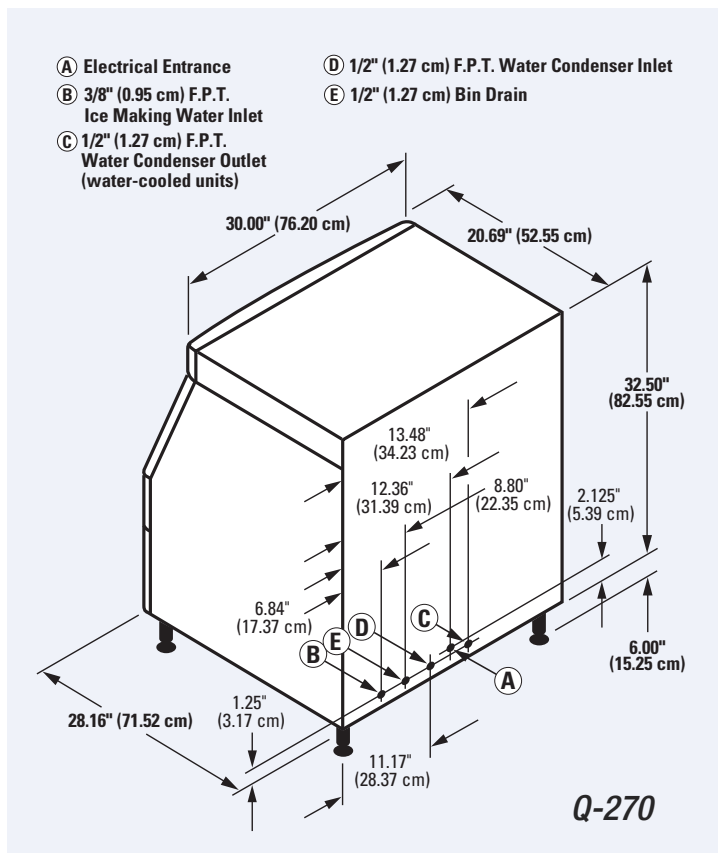
**Half Dice**  
 $\frac{3}{8}$ " x  $1\frac{1}{8}$ " x  $\frac{7}{8}$ "  
 (.95 x 2.86 x 2.22 cm)



**Dice**  
 $\frac{1}{8}$ " x  $\frac{1}{8}$ " x  $\frac{7}{8}$ "  
 (2.22 x 2.22 x 2.22 cm)

24-HOUR PRODUCTION †						lbs. kgs.	
AIR-COOLED UNIT			WATER-COOLED UNIT				
air temp	water temp		air temp	water temp			
°F	50°	70°	90°	°F	50°	70°	90°
°C	10°	21°	32°	°C	10°	21°	32°
70°	280	245	220	70°	290	255	235
21°	127	111	100	21°	132	116	107
80°	275	240	215	80°	285	250	230
27°	125	109	98	27°	130	114	105
90°	250	215	190	90°	280	245	225
32°	114	98	86	32°	127	111	102

†Production for Dice and Half Dice cubes.



©2007 Manitowoc 29244 - 1107. Continuing product improvement may necessitate change of specifications without notice.

**Installation Note** - There is no minimum clearance required, however recommended clearance for top, sides, and back is 5" (12.7 cm).

## Front Access

Initiate ice, off and clean operations with simple upfront selector switch. No need to remove front panel.



Look for the EnergyMizer™ mark and you'll know you're getting the most from every energy dollar spent on foodservice equipment. [www.energymizer.com](http://www.energymizer.com)



MANITOWOC ICE, INC.  
 2110 South 26th Street, P.O. Box 1720  
 Manitowoc, WI 54221-1720, USA  
 Ph: 920-682-0161 • Fax: 920-683-7589  
 Visit us online at [www.manitowocice.com](http://www.manitowocice.com)

