



# Model MIM250

Project Name:	
Location:	
Item:	Qty:
Model:	

## Ice Maker - Self Contained



Model MIM250



FEATURE LIST	
Model:	MIM250
Description:	Self-Contained, Front Breathing Ice Maker
Voltage:	120V/60Hz/1Ph, 220V/50Hz/1Ph
Amps:	12
Ice Type:	Slab Cube
Ice Cube Size:	3/4" x 3/4" x 1" 19mm x 19mm x 25mm
Power Consumption:	9.4kWh / 100lbs of ice
Unit Weight:	144 lb / 65 kg
Unit Dimensions:	24" W x 24" D x 39" H 610mm W x 610mm D x 991mm H
Shipping Weight:	160 lb / 72.5 kg
Shipping Dimensions:	26" W x 26" D x 35" H 660mm W x 660mm D x 889mm H

The MIM250 is an extremely reliable and versatile ice maker that produces up to 260 pounds of ice per day and includes a self-contained 75 pound storage bin. Stainless steel construction provides durability to a unit that is low-maintenance and easy to clean. The unit produces crystal clear ice cubes that work great for applications in homes, restaurants, bars, hotels, grocery stores, and more. Front breathing design is suitable for freestanding or built in applications. This unit will run on standard household electrical current and is NSF and UL approved for commercial use. The unit pairs high output and capacity with a self-contained, compact design.

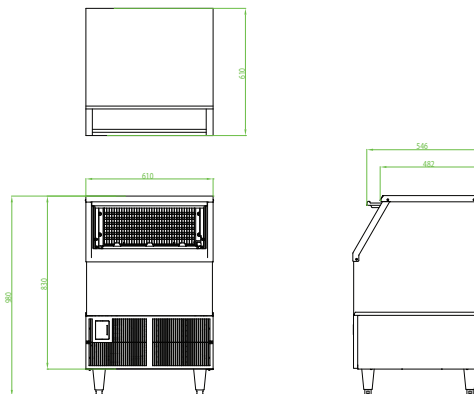
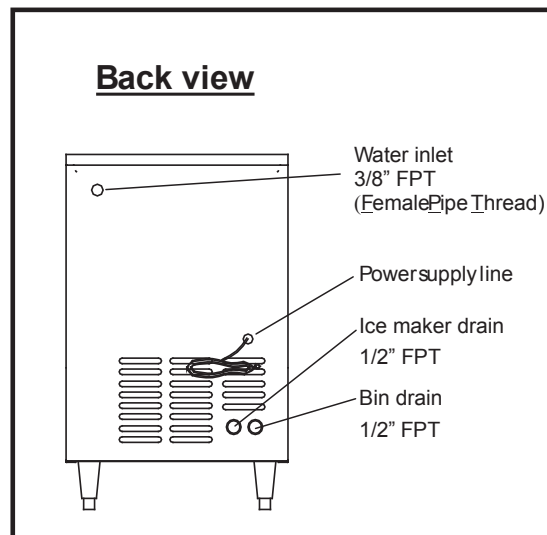
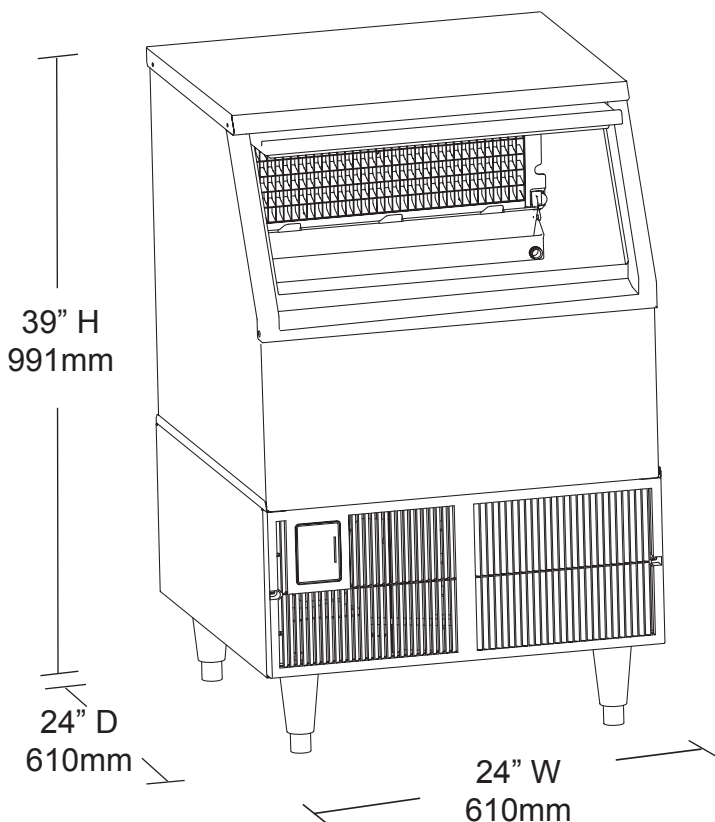
Maxx Ice's continuing commitment to quality products may mean a change in specification or pricing without notice.



# MAXX ICE

## Model MIM250

### PLAN VIEW



- Up to 260 lb (117 kg) daily ice production (based on 50/70° F)
- Produces crystal clear bullet shaped ice cubes
- Stainless steel exterior
- 75lb storage bin with automatic overflow prevention
- Easy to use automatic cleaning setting

- Front breathing, air-cooled condenser
- Designed for household or commercial use
- For freestanding or built-in applications
- Requires use of a drain. Water filter recommended.



MAXX ICE

3355 Enterprise Avenue Fort Lauderdale, FL 33331  
Tel: 954.202.7336 www.thelegacycompanies.com