



Model 330 "X" Series

Modular Cuber



Features

- Great performance
- Maximum production capacity is up to 342 lbs. (155 kgs.) per day
- Environmentally safe Future Proof™ Refrigerant R-404a
- 100% front serviceability
- Programmable water control
- Compact design – only 30" (76 cm) wide
- Quality construction
- All stainless steel panels & frame
- Self-insulating ABS evaporator housing
- Split-compartment design
- Quick-change merchandising panel
- Microban® antimicrobial product protection inhibits bacteria, mold and mildew
- Extreme energy efficiency – low power consumption, low water usage and lowest total energy cost
- Most consistent harvest control in the market



Quick-change, merchandising panel provides space for consumer-targeted promotional messages.



Key components have been reinforced to provide years of durable service. Front serviceability ensures easy access to components.



Model 330 "X" Series

Technical Specifications



Cube size: 5/8" W x 7/8" H x 7/8" D

Ice harvest rate lbs. per 24 hrs: 269 lbs. (122 kgs.)
 Rated in accordance with ARI Standard 810-91

Potable water use per 100 lbs. of ice mfg.: 16.7 gal. (63 ltrs.)

KWH consumption per 100 lbs. (45 kgs.):
 Air: 8.5 Water: 6.8

Ambient temperature: 50°F - 100°F (10°C - 38°C)

Water temperature: 45°F - 90°F (7°C - 32°C)

Water pressure: 20-120 psi

Maximum fuse size: 20

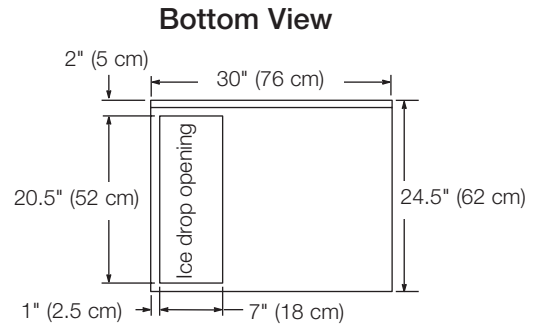
Circuit amp: 20

Refrigerant type: R-404a

Condenser water use per 100 lbs. (45 kgs.):
 Water cooled: 149 gal. (564 ltrs.)

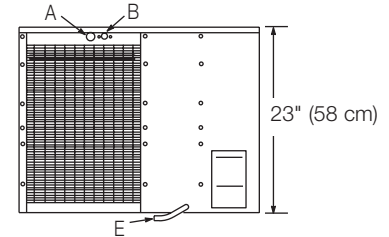
Graphic dimensions: 28.63" W x 22.57" H

Agency listings:

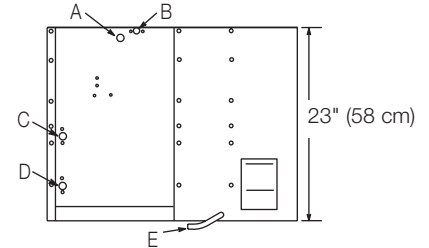


Bottom View

Rear View (Air Cooled)



Rear View (Water Cooled)



- A Electrical service opening 7/8" (2.2 cm) male flare
- B Potable water inlet 3/8" (.95 cm) I.D. by 3/4" (1.91 cm) O.D.
- C Coolant water outlet 3/8" (.95 cm) male flare
- D Coolant water inlet 3/8" (.95 cm) male flare
- E Dump valve drain hose 9/16" (1.4 cm) I.D. by 3/4" (1.91 cm) O.D.

Recommended storage bins:

B230AP – 120 lbs. (54 kgs.) capacity, B430AP – 290 lbs. (132 kgs.) capacity, B530AP – 360 lbs. (163 kgs.) capacity, B530SS – 400 lbs. (181 kgs.) capacity.

Rated in accordance with ARI Standard 820-88

AIR-COOLED/REMOTE AIR-COOLED PRODUCTION CHART			
AIR TEMPERATURE	WATER TEMPERATURE		
	50°F/10°C	70°F/21°C	80°F/27°C
50°F/10°C	342 lbs./155 kgs.	326 lbs./148 kgs.	312 lbs./142 kgs.
70°F/21°C	338 lbs./153 kgs.	310 lbs./141 kgs.	304 lbs./138 kgs.
90°F/32°C	285 lbs./124 kgs.	269 lbs./122 kgs.	258 lbs./117 kgs.

WATER-COOLED PRODUCTION CHART			
AIR TEMPERATURE	WATER TEMPERATURE		
	50°F/10°C	70°F/21°C	80°F/27°C
50°F/10°C	334 lbs./152 kgs.	302 lbs./137 kgs.	292 lbs./133 kgs.
70°F/21°C	315 lbs./143 kgs.	287 lbs./131 kgs.	285 lbs./129 kgs.
90°F/32°C	299 lbs./136 kgs.	281 lbs./128 kgs.	268 lbs./122 kgs.

Model No	Standard Electrical	Condenser	Production 90°/70° 32°/21° lbs/kgs	Shipping Weight lbs/kgs	Operating Weight lbs/kgs	Voltage Range
XAC330	115V-60-1	Air	269/122	163/75	136/62	110-126V
XWC330	115V-60-1	Water	281/128	155/71	128/58	110-126V



For more information or to place an order, contact your sales representative or authorized distributor.

www.cornelius.com

In the US:

Phone: 1-800-238-3600
 Fax: 1-800-535-4235

Outside the US:

Phone: 1-763-421-6120
 Fax: 1-763-422-3297

IMI Cornelius Inc.

One Cornelius Place
 Anoka, MN 55303-6234
 USA