



S-Series 850 Ice Cube Machine

Model

- | | | |
|-----------------------------------|-----------------------------------|-----------------------------------|
| <input type="checkbox"/> SD-0852A | <input type="checkbox"/> SY-0854A | <input type="checkbox"/> SY-0894N |
| <input type="checkbox"/> SD-0853W | <input type="checkbox"/> SY-0855W | <input type="checkbox"/> SD-0892N |



SY-0854A
Ice Machine on B-570 Bin

Standard Features

- Up to 940 lbs. (426 kgs.) daily ice production.
- CEE Tier 3 energy and water efficiency rating
- Only 30" (76.20 cm) wide.
- Removable water distribution tube with no tools.
- Food zone designed with soft, round, cove corners.
- Patented cleaning and sanitizing technology.
- Select components made with AlphaSan® antimicrobial.
- Hinged front door for easy access.

Warranty

- 5-year parts and 5-year labor coverage on ice machine evaporator.
- 5-year parts and 3-year labor coverage on ice machine compressor.
- 3-year parts-and-labor coverage on all other ice machine, dispenser, and storage bin components.

Specifications

BTU Per Hour:

13,000 (average) 16,000 (peak)

Compressor:

Nominal rating: 1-1/2 HP

Cupra-Nickel Condenser:

(Water-cooled models)

Adds protection from corrosive water elements

Operating Limits:

- Ambient Temperature Range: Air and water-cooled: 35° to 110°F (1.6° to 43.3°C)
Remote: -20° to 120°F (-29° to 49°C)
- Water Temperature Range: 35° to 90°F (1.6° to 32.2°C)
- Water Pressure Ice Maker
Water In:
Min. 20 psi (137.9 kPa)
Max. 80 psi (551.1 kPa)
- Condenser Inlet Water In: (Water cooled only)
Min. 20 psi (137.9 kPa)
Max. 150 psi (1,034.2 kPa)

Ice Machine Electric

208-230/60/1 standard. (208-230/60/3 and 230/50/1 also available.)

Minimum circuit ampacity:

Air-cooled:	11.9 1ph	9.2 3ph
Water-cooled:	10.9 1ph	8.2 3ph
Remote:	11.9 1ph	9.2 3ph

Maximum fuse size:

Air-cooled, Water-cooled and Remote:
20 amps 1ph
15 amps 3ph

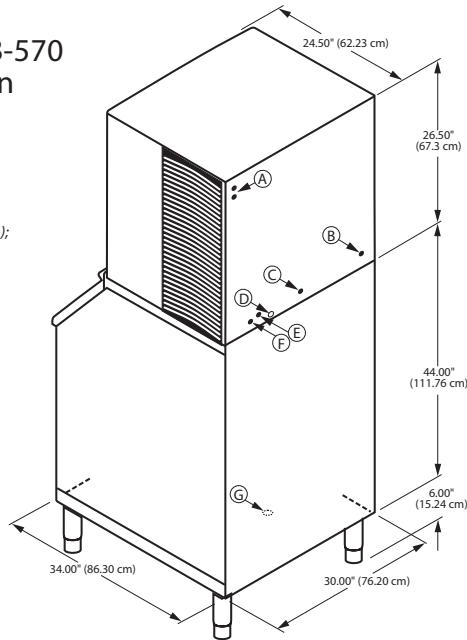




S-Series 850 Ice Cube Machine

S-850 on B-570 Storage Bin

Installation Note
Minimum installation clearance
Top/sides: 8" (20.32 cm);
Back: 5" (12.7 cm).



- (A) Electrical Entrance (2) Options
- (B) 3/8" (0.95 cm) F.P.T. Water Condenser Inlet (water-cooled units)
- (C) 1/2" (1.27 cm) F.P.T. Water Condenser Outlet (water-cooled units)
- (D) 1/2" (1.27 cm) Auxillary Base Drain Socket
- (E) 3/8" (0.95 cm) F.P.T. Ice Making Water Inlet
- (F) 1/2" (1.27 cm) F.P.T. Ice Making Water Drain
- (G) 3/4" (1.91 cm) Bin Drain

Space-Saving Designs



	S-850 B-570	S-850 B-970*
Height	76.50" 194.30 cm	76.50" 194.30 cm
Width	30.00" 76.20 cm	48.00" 121.92 cm
Depth	34.00" 86.30 cm	34.00" 86.30 cm
Bin Storage	430 lbs. 195 kgs.	710 lbs. 322.2 kgs.

Height includes adjustable bin legs 6.00" to 8.00", (15.24 to 20.32 cm) set at 6.00" (15.24 cm).

For comparison purposes multiply ARI capacity by 1.3 (30%) to arrive at approximate "Application Rating Capacity."

Model	Ice Shape	Ice Production 24 Hours				Power kWh/100 lbs. @ 90°/70°F				Energy Star®
		70°Air/50°F Water		90°Air/70°F Water		1 ph	CEE+ Rating	3 ph	CEE+ Rating	
SD-0852A	dice	785	356	615	279	6	Tier 1	5.8	Tier 1	
SD-0853W	dice	835	379	740	336	4.5	Tier 1	4.5	Tier 1	
SY-0854A	half-dice	940	426	725	329	5.3	Tier 2	5.2	Tier 3	★
SY-0855W	half-dice	875	397	810	367	4.2	Tier 2	4.2	Tier 2	
Remote Air-Cooled with JC-0895A condenser										
SD-0892N	dice	750	340	645	293	5.9	Tier 1	5.7	Tier 2	
SY-0894N	half-dice	860	390	750	340	5.3	Tier 2	5.2	Tier 2	★
Water usage/100 lbs./45.4 kgs. of Ice										
Potable Water: 18 gallons, 68 liters • Water-cooled Condenser: 145 gallons, 549 liters										

Order ice storage bin separately. "A" or "W" following model number indicates "Air" or "Water" condensing unit. Ice storage bin and JC-0895A remote condenser must be ordered separately. Consult remote condenser specification sheet for details. To order 3 phase add "3" suffix to model # (SD-0852A3).

†Consortium for Energy Efficiency (CEE) is a North American nonprofit organization that promotes energy-efficient products, technologies and services; also the principal entity for the development of ice maker efficiency standards.

Ice Shape

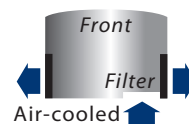


Half Dice
3/8" x 1/8" x 7/8"
(.95 x 2.86 x 2.22 cm)



Dice
7/8" x 7/8" x 7/8"
(2.22 x 2.22 x 2.22 cm)

Air Flow Top View



AuCS®SO Accessory

Automatic Cleaning System purchased as an option and installed in the field.