

New Model Only 22" wide

QPA-160 **Ice Dispenser**



Q-Model Series 320 Ice Cube Machine
QPA-160 "Push for Ice" Ice Dispenser

- Designed for ice bucket or glass filling in hotels and cafeterias
- 120 lbs. (54 kgs.) ice storage capacity. Accepts 22" (55.88 cm) Manitowoc ice machine
- Only 22" (55.88 cm) wide, 30" (76.20 cm) deep, and 75.5" high (191.77 cm)
- Stainless steel exterior with gray accents and rounded front blends with any decor
- Patented "Push For Ice" rocking chute dispense mechanism reduces in-flight ice and ice spillage with quick on/off activation
- Efficient built-in agitator assures 100% dispensing. Polyethylene bin liner and polyurethane insulation keep ice longer
- Push for ice, coin-op and room card dispensing control models
- Warranty
 - 5-year parts and 5-year labor coverage on ice machine evaporator
 - 5-year parts and 3-year labor coverage on ice machine compressor
 - 3 year parts-and-labor coverage on all other ice machine and dispenser components



ISO 9001
Quality
System
Certified

THE RIGHT CLIMATE FOR LEADERSHIP

Manitowoc®

ICE CUBE MACHINES • ICE DISPENSERS

Manitowoc QPA-160 Ice Dispenser

Designed for ice bucket filling in hotels, motels, and resorts.

120 lbs. (54 kgs.) storage capacity.

SERIES 320 (115V)

| 24-HOUR PRODUCTION | | | | | | | | lbs. kgs. |
|--------------------|------------|-----|-----|-------------------|------------|-----|-----|-----------|
| AIR-COOLED UNIT | | | | WATER-COOLED UNIT | | | | |
| air temp | water temp | | | air temp | water temp | | | |
| °F | 50° | 70° | 90° | °F | 50° | 70° | 90° | |
| °C | 10° | 21° | 32° | °C | 10° | 21° | 32° | |
| 70° | 310 | 290 | 270 | 70° | 300 | 280 | 250 | |
| 21° | 141 | 132 | 123 | 21° | 136 | 127 | 114 | |
| 80° | 280 | 260 | 240 | 80° | 290 | 270 | 240 | |
| 27° | 127 | 118 | 109 | 27° | 132 | 123 | 109 | |
| 90° | 240 | 220 | 200 | 90° | 280 | 260 | 230 | |
| 32° | 109 | 100 | 91 | 32° | 127 | 118 | 104 | |

SERIES 420 (115V)

| 24-HOUR PRODUCTION | | | | | | | | lbs. kgs. |
|--------------------|------------|-----|-----|-------------------|------------|-----|-----|-----------|
| AIR-COOLED UNIT | | | | WATER-COOLED UNIT | | | | |
| air temp | water temp | | | air temp | water temp | | | |
| °F | 50° | 70° | 90° | °F | 50° | 70° | 90° | |
| °C | 10° | 21° | 32° | °C | 10° | 21° | 32° | |
| 70° | 530 | 480 | 440 | 70° | 520 | 460 | 420 | |
| 21° | 241 | 218 | 200 | 21° | 236 | 209 | 191 | |
| 80° | 480 | 430 | 400 | 80° | 510 | 450 | 410 | |
| 27° | 218 | 195 | 182 | 27° | 232 | 204 | 186 | |
| 90° | 430 | 380 | 350 | 90° | 500 | 440 | 400 | |
| 32° | 195 | 173 | 159 | 32° | 227 | 200 | 182 | |

 Certified and Rated in Accordance with ARI Standard 810/820-95
Test conditions for standard ratings are 90° F air, 70° F water, and 30 ± 3 psig water inlet pressure.

Note: Dispenser will accept single 22" wide ice machine. Ice machine ordered separately. Choose Dice or Half Dice cube size. Refer to ice machine specification sheet for electrical and complete ARI standard ratings.

Dispenser Electric: 115/60/1. (208-230/60/1 and 230/50/1 also available.)

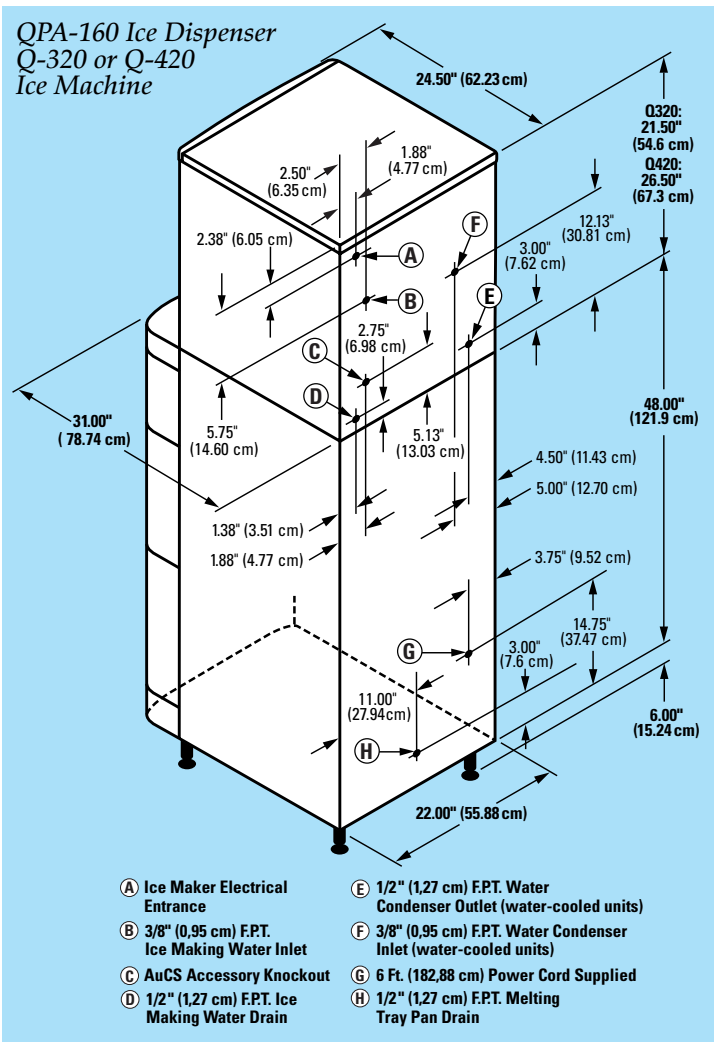
Maximum Circuit Fuse Size: 15.0 amps. HACR-type circuit breakers can be used in place of fuses.

Dispenser Electrical Connection: 6' power cord, rated 125 VAC, 16-3 conductors with standard 3-prong, straight-blade, ground-type plug (NEMA configuration 5-15P).

Motor: 1.6 amps maximum. Permanently lubricated.

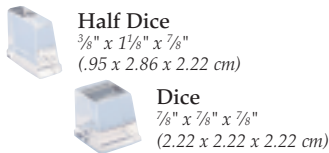
Service Access: Dispenser door removes easily to access components.

Models: QPA-160 push for ice rocking chute, QCA-163 coin-op and QRA-164 room card control available. To field-convert QPA-160 to QRA-164, call factory for information.



Installation Note - Dispensers have no minimum clearance, when installing an ice machine/dispenser combination follow the clearance requirements for the ice machine being installed.

2 Cube Sizes Available



AuCS® Accessory



Options



Room Card
QRA-164

Coin-Op
QCA-163
25-cent coin
standard.



THE RIGHT CLIMATE FOR LEADERSHIP

Consult your local Manitowoc Representative:

Manitowoc Ice, Inc.
2110 South 26th Street, P.O. Box 1720 • Manitowoc, WI 54221-1720, USA
Ph: 920-682-0161 • Fax: 920-683-7589 • Web Site: www.manitowocice.com

©1999 Manitowoc 9485A - 6/99
Continuing product improvement may necessitate change of specifications without notice.

