

Q-Model Series 320 Ice Cube Machine



Q-Model Series 320
Ice Machine on S-320 Bin

- Up to 310* lbs. (141 kgs.) daily ice production
*Production rating outside the scope of ARI Standard 810.
- Only 22" (55.88 cm) wide
- Stainless steel exterior with the fit and finish of an appliance
- Rugged, corrosion-free base
- Patented cleaning and sanitizing technology
- New batch water system delivers better ice cube formation
- R-404A CFC-free refrigerant
- Warranty
 - 5-year parts and 5-year labor coverage on ice machine evaporator
 - 5-year parts and 3-year labor coverage on ice machine compressor
 - 3 year parts-and-labor coverage on all other ice machine, dispenser, and storage bin components



ISO 9001
Quality
System
Certified

THE RIGHT CLIMATE FOR LEADERSHIP

**Manitowoc**[®]

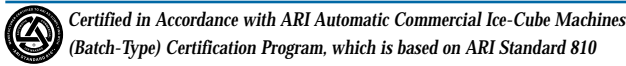
ICE CUBE MACHINES • ICE STORAGE BINS

Manitowoc Q-Model 320 Series

A seamless blend of thoughtful design, new technology and rugged construction.

Model	Cube size	Ice production 24 hours		Power kWh/100 lbs.
		lbs.	kgs.	
QR-0320A	regular	205	93	8.5
QR-0321W	regular	240	109	6.3
QD-0322A	dice	220	100	7.9
QD-0323W	dice	260	118	5.9
QY-0324A	half-dice	220	100	7.9
QY-0325W	half-dice	260	118	5.9
Water usage/100 lbs./45.4 kgs. of ice				
Potable Water: 27.5 gallons, 104.9 liters				
Water-cooled Condenser: 215 gallons, 813.9 liters				

- Order ice storage bin separately.
- "A" or "W" following model number indicates "Air" or "Water" condensing unit.



Ice Machine Electric

115/60/1. (208-230/60/1 also available. For 230/50/1 see 50 cycle literature.)

Minimum circuit ampacity:

Air-cooled — 11.2 amps. Water-cooled — 10.5 amps.

Maximum fuse size: Air and Water-cooled — 15 amps.

HACR-type circuit breakers can be used in place of fuses.

Specifications

BTU Per Hour:

4,600 (average) 6,200 (peak)

Compressor:

Nominal rating: 1/2 HP

Cupra-Nickel Condenser:

(Water-cooled models)

Adds protection from corrosive water elements.

Operating Limits:

- Ambient Temperature Range:

35°-110°F (1.7°-43.3°C)

- Water Temperature Range:

33°-90°F (0.6°-32.2°C)

- Water Pressure Ice Maker

Water In:

Min. 20 psi (137.9 kPa)

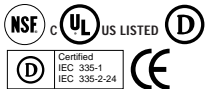
Max. 80 psi (551.1 kPa)

- Condenser Inlet Water In:

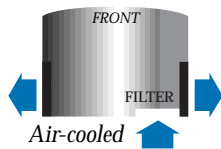
(Water cooled only)

Min. 20 psi (137.9 kPa)

Max. 150 psi (1,034.2 kPa)



Air Flow Top View



AuCS® Accessory



AuCS®
Automatic
Cleaning
System

3 Cube Sizes to Choose From



Half Dice
3/8" x 1 1/8" x 7/8"
(.95 x 2.86 x 2.22 cm)



Dice
7/8" x 7/8" x 7/8"
(2.22 x 2.22 x 2.22 cm)



Regular
1 1/8" x 1 1/8" x 7/8"
(2.86 x 2.86 x 2.22 cm)

24-HOUR PRODUCTION †								lbs. kgs.
AIR-COOLED UNIT				WATER-COOLED UNIT				
air temp	water temp			air temp	water temp			
F	50°	70°	90°	F	50°	70°	90°	
°C	10°	21°	32°	°C	10°	21°	32°	
70°	310	290	270	70°	300	280	250	
21°	141	132	123	21°	136	127	114	
80°	280	260	240	80°	290	270	240	
27°	127	118	109	27°	132	123	109	
90°	240	220	200	90°	280	260	230	
32°	109	100	91	32°	127	118	104	

†Production for Dice and Half Dice cubes. Regular cube is 7% less than chart and kWh/100 lbs. increases 7%.

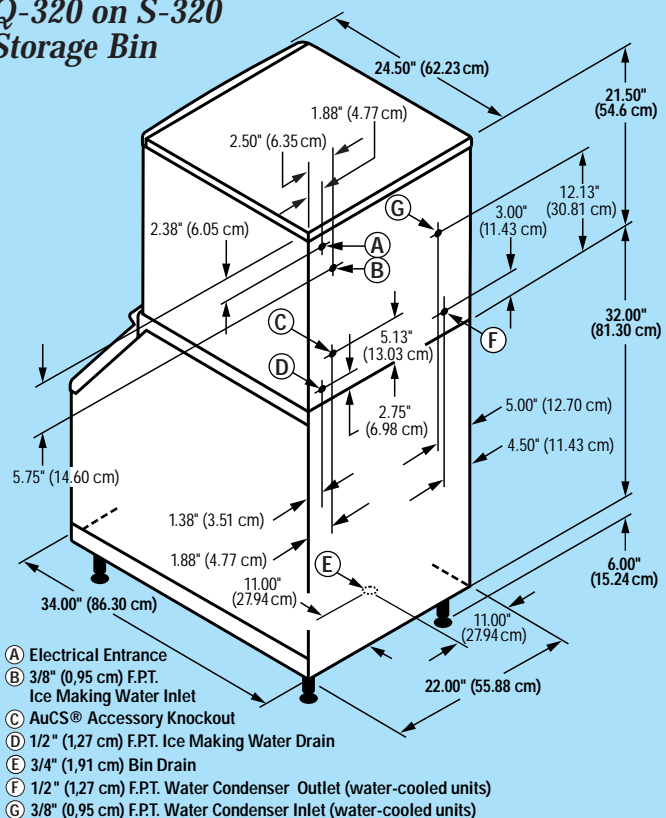
Space-Saving Designs



	Q-320 S-320	Q-320 S-420
Height	59.50" 151.13 cm	71.50" 194.31 cm
Width	22.00" 55.90 cm	22.00" 55.90 cm
Depth	34.00" 86.30 cm	34.00" 86.30 cm
Bin Storage	210 lbs. 95 kgs.	310 lbs. 141 kgs.

Height includes adjustable bin legs 6.00" to 7.00" (15.24 to 17.78 cm) set at 6.00" (15.24 cm). For comparison purposes multiply ARI capacity by 1.3 (30%) to arrive at approximate "Application Rating Capacity."

Q-320 on S-320 Storage Bin



Installation Note - Minimum Installation Clearance: Top/Sides are 8" (20.32 cm), Back is 5" (12.7 cm).

THE RIGHT CLIMATE FOR LEADERSHIP

Consult your local Manitowoc Representative:

Manitowoc Ice, Inc.
2110 South 26th Street, P.O. Box 1720 • Manitowoc, WI 54221-1720, USA
Ph: 920-682-0161 • Fax: 920-683-7589 • Web Site: www.manitowocice.com

