

S-Series 322 Ice Cube Machine



NEW



S-Series 322
Ice Machine on B-320 Bin

- SANITATION**
We've made it simple to clean
- SAVINGS**
The perfect balance of power and efficiency
- SOUND**
Designed to run whisper-quiet
- SERVICEABILITY**
Easy access means less downtime

- Up to 340 lbs. (154 kgs.) daily ice production
- Only 22" (55.88 cm) wide
- Removable water distribution tube with no tools
- Food zone designed with soft, round, cove corners
- Patented cleaning and sanitizing technology
- Select components made with AlphaSan antimicrobial
- Hinged front door for easy access
- Warranty
5-year parts and 5-year labor coverage on ice machine evaporator
5-year parts and 3-year labor coverage on ice machine compressor
3-year parts-and-labor coverage on all other ice machine, dispenser, and storage bin components



ISO 9001:2000
Quality System
Certified

America's #1 Selling Ice Machine

Ice Cube & Flake Machines • Ice Storage Bins • Ice Dispensers

Manitowoc
Foodservice Group

Manitowoc S-Series 322

Model	Cube size	Ice production 24 hours		Power kWh/100 lbs.
		lbs.	kgs.	
SD-0322A	dice	250	113	6.9
SD-0323W	dice	290	132	5.4
SY-0324A	half-dice	250	113	6.9
SY-0325W	half-dice	290	132	5.4
Water usage/100 lbs./45.4 kgs. of Ice				
Potable Water: 18 gallons, 68 liters • Water-cooled Condenser: 160 gallons, 605.6 liters				

Order ice storage bin separately. "A" or "W" following model number indicates "Air" or "Water" condensing unit.



Certified in Accordance with ARI Automatic Commercial Ice-Cube Machines (Batch-Type) Certification Program, which is based on ARI Standard 810

Ice Machine Electric

115/60/1 standard. (208-230/60/1 and 230/50/1 also available.)

Min. circuit ampacity: Air-cooled — 11.3 amps
Water-cooled — 10.5 amps

Max. fuse size: Air-cooled and Water-cooled — 15 amps
HACR-type circuit breakers can be used in place of fuses.

Specifications

BTU Per Hour:
3,800 (average) 6,000 (peak)

Compressor:
Nominal rating: 1/2 HP

Cupra-Nickel Condenser:
(Water-cooled models)
Adds protection from corrosive water elements.

Operating Limits:
• Ambient Temperature Range:
Air and water:
35° to 110°F (1.6° to 43.3°C)

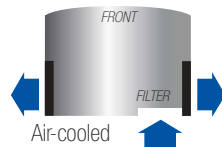
• Water Temperature Range:
35° to 90°F (1.6° to 32.2°C)

• Water Pressure Ice Maker Water In:
Min. 20 psi (137.9 kPa)
Max. 80 psi (551.1 kPa)

• Condenser Inlet Water In:
(Water cooled only)
Min. 20 psi (137.9 kPa)
Max. 150 psi (1,034.2 kPa)



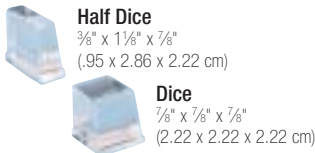
Air Flow Top View



AuCS[®]SO Accessory

Automatic Cleaning System purchased as an option and installed in the field.

2 Cube Sizes Available



Guardian[®] Accessory



Slime Inhibitor with Ice Sentry sachet refill. Sachet holder standard in S-Series machine.

24-HOUR PRODUCTION †						lbs. kgs.	
AIR-COOLED UNIT			WATER-COOLED UNIT				
air temp	water temp		air temp	water temp			
°F	50°	70°	90°	°F	50°	70°	90°
°C	10°	21°	32°	°C	10°	21°	32°
70°	340	320	300	70°	330	310	280
21°	154	145	136	21°	150	141	127
80°	320	290	270	80°	320	300	280
27°	145	132	122	27°	145	136	127
90°	280	250	240	90°	310	290	270
32°	127	113	108	32°	141	132	122

†Production for Dice and Half Dice cubes. Data is published for 60 Hz machines. 50 Hz machines produce approximately 7% less ice.

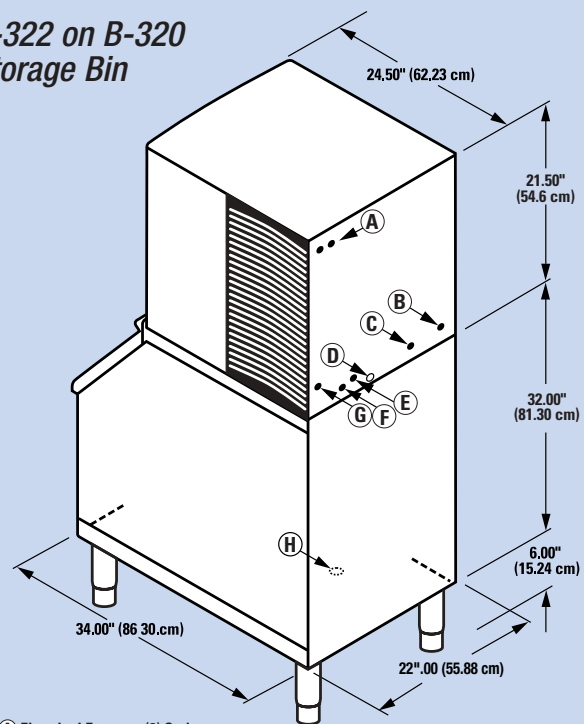
Space-Saving Designs



	S-322 B-320	S-322 B-420
Height	59.50" 151.13 cm	71.50" 194.31 cm
Width	22.00" 55.88 cm	22.00" 55.88 cm
Depth	34.00" 86.30 cm	34.00" 86.30 cm
Bin Storage	210 lbs. 95 kgs.	310 lbs. 141 kgs.

Height includes adjustable bin legs 6.00" to 7.00", (15.24 to 17.78 cm) set at 6.00" (15.24 cm). For comparison purposes multiply ARI capacity by 1.3 (30%) to arrive at approximate "Application Rating Capacity."

S-322 on B-320 Storage Bin



- A Electrical Entrance (2) Options
- B 3/8" (0.95 cm) F.P.T. Water Condenser Inlet (water-cooled units)
- C 1/2" (1.27 cm) F.P.T. Water Condenser Outlet (water-cooled units)
- D 1/2" (1.27 cm) Auxillary Base Drain Socket
- E 3/8" (0.95 cm) F.P.T. Ice Making Water Inlet
- F 1/2" (1.27 cm) F.P.T. Ice Making Water Drain
- G AuCS[®]SO Accessory Knockout
- H 3/4" (1.91 cm) Bin Drain

Installation Note - Minimum Installation Clearance: Top/Sides are 8" (20.32 cm), Back is 5" (12.7 cm).



MANITOWOC ICE, INC.
2110 South 26th Street, P.O. Box 1720
Manitowoc, WI 54221-1720, USA
Ph: 920-682-0161 • Fax: 920-683-7589
Visit us online at www.manitowocice.com



Ice Storage Bins



Manitowoc

B-Style

Model	Capacity	Weight
B-170	150 lbs.	(68 kgs)
B-320	210 lbs.	(95 kgs)
B-400	290 lbs.	(132 kgs)
B-420	310 lbs.	(141 kgs)
B-570	430 lbs.	(195 kgs)
B-970	710 lbs.	(323 kgs)

.75" (1.90 cm) Bin drain

C-Style

Model	Capacity	Weight
C-730	560 lbs.	(254 kgs)

.75" (1.90 cm) Bin drain

B-Style Large Capacity

Model	Capacity	Weight
B-750	748 lbs.	(339 kgs)
B-1050	1,053 lbs.	(477 kgs)
B-1100	1,114 lbs.	(505 kgs)
B-1400	1,416 lbs.	(642 kgs)

1" (2.54 cm) Bin drain

America's #1 Selling Ice Machine

Ice Cube & Flake Machines • Ice Storage Bins • Ice Dispensers



Manitowoc Ice Storage Bins

B-STYLE

Bin Model	Capacity		Fits Ice Machine Series Indicated														Dimensions						
	Lbs.	Kgs.	300	322	422	450	500	600	850	1000	1200	1400	1400C	1600	1800	QDual	QC/QF	Height		Width		Depth	
B-170	150	68	●	3	3	●	●										3	25"	63.50 cm	30"	76.20 cm	29.50"	74.92 cm
B-320	210	95		●	●												●	38"	96.52 cm	22"	55.88 cm	34"	86.36 cm
B-400	290	132	●	3	3	●	●	●	●	●	●						3	38"	96.52 cm	30"	76.20 cm	34"	86.36 cm
B-420	310	141		●	●												●	50"	127 cm	22"	55.88 cm	34"	86.36 cm
B-570	430	195	●	3	3	●	●	●	●	●	●						3	50"	127 cm	30"	76.20 cm	34"	86.36 cm
B-970	710	323	1			1	1	2	2	2	2	●	2	●	●	2		50"	127 cm	48"	121.92 cm	34"	86.36 cm

Soft durometer trim around opening helps silence bin door closing. Patent-pending hinge pin design holds bin door open while in use. Internal scoop holder stays above ice line for easy access and better sanitation. Stainless steel exterior is durable, corrosion resistant, and attractive.

- 1 K-00369 adapter required
- 2 K-00370 adapter required
- 3 K-00368 adapter required

One set of stainless steel legs included. Adjustable from 6.00" to 7.75" (15.24 to 20.32 cm). Included with bin.
Storage capacity is based on 80% of total volume x 30 lb/ft³ average density of ice.



C-STYLE

Bin Model	Capacity		Fits Ice Machine Series Indicated											Dimensions					
	Lbs.	Kgs.	300	322	422	450	500	600	850	1000	1200	1400C	QC/QF	Height		Width		Depth	
C-730S	560	254	4	5	5	4	4	4	4	4	4	4	5	46"	116.84 cm	42"	106.68 cm	31.50"	80.01 cm

C-Style stainless steel exterior metal is same material used for S-Series ice machines. Bin door, although rectangular, is gray ABS to match S-Series ice machine trim color. C-Style bin does not include scoop holder, bin door design, or rounded corner enhancements included with S-Style or B-Style design. Bin leg is bullet design, adjustable from 6.00" to 7.75" (15.24 cm to 19.685 cm) and painted black. Bin liner is one-piece (seamless) "rotocast" polyethylene. Liner won't rust, dent, chip, crack or discolor.

- 4 C-730 includes K-00023 adapter to mount 30" ice machine.
- 5 K-00117 adapter required.

Gray painted 6.00" (15.24 cm) bullet legs included, adjustable from 6.00" to 7.00" (15.24 to 17.78 cm).

Storage capacity is based on 80% of total volume x 30 lb/ft³ average density of ice.



B-STYLE LARGE CAPACITY

Bin Model	Capacity		Fits Ice Machine Series Indicated												Dimensions					
	Lbs.	Kgs.	450	500	600	850	1000	1200	1400	1400C	1600	1800	QDual	QF2300	Height		Width		Depth	
B-750	748	339	●	●	●	●	●	●					●	●	57.00"	144.8 cm	30"	76.20 cm	34"	86.36 cm
B-1050	1,053	478	●	●	●	●	●	●					●	●	77.00"	195.6 cm	30"	76.20 cm	34"	86.36 cm
B-1100	1,114	505	●	●	●	●	●	●	●	●	●	●	●	●	56.00"	142.3 cm	48"	121.92 cm	34"	86.36 cm
B-1400	1,416	642	●	●	●	●	●	●	●	●	●	●	●	●	56.00"	142.3 cm	60"	152.40 cm	34"	86.36 cm

Manitowoc B-Style, large capacity ice storage bins are equipped with an ice gate for increased employee safety, easier ice removal, and reduced spillage.

Choose between a B-750 and B-1050, two of the smallest footprint, large capacity ice storage bins offered. Also available are the 48" wide B-1100 with 1,114 lbs. of ice storage capacity or the 60" wide model B-1400 with 1,416 lbs. of ice storage capacity. (B-1100; specify for use with 1–30" wide or 1–48" wide ice machine and B-1400 specify for use with 1–30" wide, 2–30" wide or 1–48" wide ice machine at time of purchase).

Bin Leg Options

4" (10.16 cm), 6" (15.24 cm) and 12" (30.48 cm) adjustable legs in painted and stainless steel and 2.5" (6.35 cm), and 7.625" (19.37cm) casters available for most models. Contact factory for model number and order information.

Warranty

Provides comprehensive, 3-year parts-and-labor coverage. For details, see Ice Storage Bin Warranty Statement. B-750, B-1050, B-1100 and B-1400 provide a limited lifetime warranty on base, bin liner, and poly snout.

ICE MACHINE DEFLECTORS REQUIRED	
S-Series 450, 500, 600, 850, 1000, 1200	K-00347
S-Series 1400, 1600, 1800	K-00349
1400C and Q-Dual	K-00212 for side-by-side ice machines K-00211 for one ice machine

Stainless steel 6.00" (15.24 cm) legs included, adjustable from 6.00" to 7.50" (15.24 to 19.05 cm).

Storage capacity is based on p0% of total volume x 30 lb/ft³ average density of ice.



ISO 9001:2000
Quality System Certified



MANITOWOC ICE, INC.
2110 South 26th Street, P.O. Box 1720
Manitowoc, WI 54221-1720, USA
Ph: 920-682-0161 • Fax: 920-683-7589
Visit us online at www.manitowocice.com

