

# KMD-900MAH

## MODULAR CRESCENT CUBER

Item # \_\_\_\_\_

Project: \_\_\_\_\_

Qty: \_\_\_\_\_

\*AutoCad available on KCL

KMD-900MAH

4/07

Item # 13156

### CUBER DIMENSIONS




W x D x H

**KMD-900MAH**  
42 x 24<sup>5/8</sup> x 28

### KMD-900MAH

Air-Cooled  
Shown on an optional  
Lancer 44" Dispenser



- Up to 875 lbs. of ice production per 24 hours
- Ice on beverage design
- Durable stainless steel exterior
- Individual crescent cube
- Protected by *HoshiGuard* Antimicrobial Agent 
- CycleSaver® Design 
- EverCheck® alert system 
- Stainless steel evaporator
- Removable air filters
- R-404 Refrigerant



### Warranty

Valid in United States, Canada, Puerto Rico, & U.S. Territories. Contact factory for warranty in other countries.

**Three Year** - Parts & Labor on entire machine.

**Five Year** - Parts & Labor on: Evaporator.

**Five Year** - Parts on: Compressor, air-cooled condenser coil.



# Hoshizaki

## KMD-900MAH MODULAR CRESCENT CUBER

**DIMENSIONS**  
W x D x H  
**KMD-900MAH**  
42 x 24<sup>5/8</sup> x 28

• Air-cooled

### AIR-COOLED

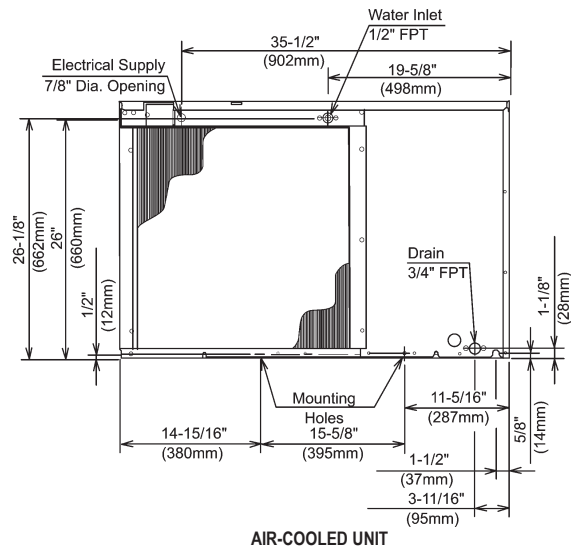
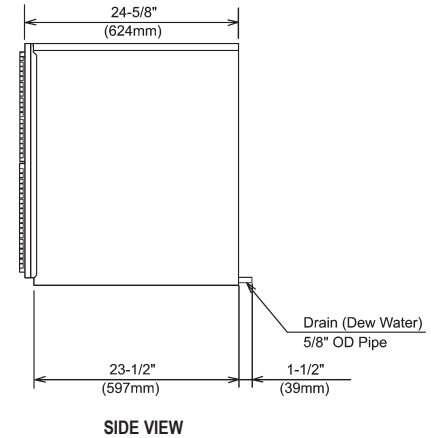
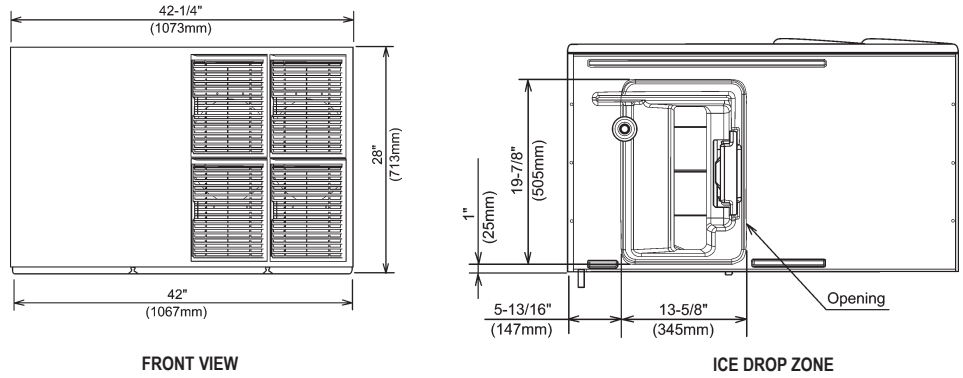
| Water Temp° F. | 50° | 70°        | 90° |
|----------------|-----|------------|-----|
| Air Temp° F.   |     |            |     |
| 70°            | 875 | 842        | 767 |
| 80°            | 850 | 799        | 706 |
| 90°            | 842 | <b>763</b> | 676 |

### UTILITY CONSUMPTION

| Model Number | Ice Production Per Cycle |       | KWH per 100 LBS. 90/70 | Potable Water Gal. per 100 lbs. 90/70 | Condenser Water Gal. per 100 lbs. 90/70 |
|--------------|--------------------------|-------|------------------------|---------------------------------------|---|
|              | Lbs.                     | Cubes |                        |                                       |   |
| KMD-900MAH   | 9.6                      | 624   | 6.3                    | 34.7                                  | N/A                                     |

### SPECIFICATIONS

| Model Number | Condenser  | Amperage | Min. Circuit Ampacity | Shipping Weight |
|--------------|------------|----------|-----------------------|-----------------|
| KMD-900MAH   | Air-Cooled | 15       | 15.5                  | 250 lbs.        |



### ELECTRICAL & PLUMBING/KMD-900MAH

- 208-230V/60/1 (3 wire with dedicated neutral for 115V)
- 25 amp Max Fuse/HACR Breaker Size
- 1/2" OD copper or equivalent independent potable water supply
- 3/4" FPT independent drain connection
- 5/8" OD pipe

### OPERATING LIMITS

- Ambient Temp Range 45 - 100°F
- Water Temp Range 45 - 90°F
- Water Pressure 20 - 145psig
- Voltage Range 187 - 253V

### SERVICE

- Panels easily removed and all components accessible for service.
- Removable/cleanable air filters



© HOSHIZAKI AMERICA, INC.

618 Hwy. 74 S., Peachtree City, GA 30269

TEL 1-800-438-6087

FAX 1-800-345-1325

www.hoshizaki.com

Printed in U.S.A.

