

LANCER®

ICD 2300 High Performance Drop-In Dispenser



ICD 2306



ICD 2308

The ICD 2300 is designed using the highest quality materials and state-of-the-art technology providing our customers with consistent drink quality.

- Available with six or eight valves
- Stainless steel construction with sealed-in cold plate
- 3/4" drain with strainer to prevent ice blockage
- Stainless steel flooded soda manifold and multiple plain water configuration
- Ice bin and tower manifold insulated with CFC free structural foam
- Tower designed with removable splash plate and drip tray for easy cleaning
- Dispenser can accommodate any number of non-carbonated drinks
- Optional top merchandiser and back marquee feature lighted graphics for maximum impact
- Sliding bin lid with electric interlock
- Splash guards optional



ETL CERTIFIED TO UL STD 471 AND CAN/
CSA STD 22.2 NO. 120



ICD 2300 High Performance

OPTIONS

Marquee



Merchandiser

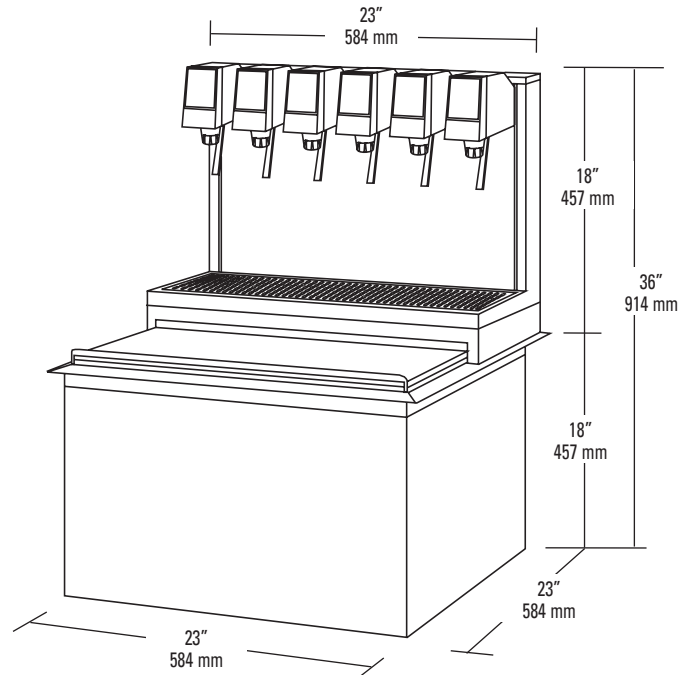


Splash Guards



Power Supply

SPECIFICATIONS



CONVERSION STAND 23" X 23"

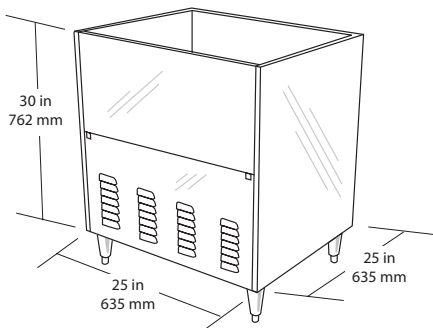
All stainless steel construction

Front access panel

6" (152 mm) adjustable legs

Allows quick and easy conversion from drop-in to free-standing unit

Shipping weight : 80lbs (36.28kg)



DIMENSIONS

Width: 23 in (584 mm)
Depth: 23 in (584 mm)
Height: 36.25 in (920 mm)

COUNTER CUT-OUT

Width: 23.25 in (591mm)
Deep: 23.25 in (591mm)

ELECTRICAL

24VAC/60Hz

WEIGHT

Operating: 270 lbs (122 kg)
Shipping: 195 lbs (88 kg)

ICE

Capacity: 100 lbs (45 kg)

FITTINGS

Soda inlets: 3/8" male barb
Syrup inlets: 3/8" male barb

VALVES

LEV® and other valves available upon request

FLEX MANIFOLD CONFIGURATION

6 valve 3-2-1
8 valve 3-1-1-3

KEY LOCK SWITCH

DRAW PERFORMANCE

Number of Drinks Below 40°F

75°F (24°C) Ambient Temperature

12 oz./12 drinks per minute
24 oz./7 drinks per minute

90°F (32°C) Ambient Temperature

12 oz./8 drinks per minute
24 oz./5 drinks per minute

Units can supply drinks under 40°F at rated draw performance continuously as long as ice is kept on cold plate.

Warranty: For warranty specifics by product, contact your Lancer Sales Representatives.

CORPORATE OFFICE 6655 Lancer Blvd • San Antonio, TX 78219
210-310-7000 • 1-800-729-1500 • FAX 210-310-7250 • www.lancercorp.com

Equipment design and/or specifications may change without notice.

"Lancer" is the registered trademark of Lancer Corporation © 2011 Lancer, all rights reserved.

ICD2300-HI-CC_SS 03/11