



LMS Worldwide, Inc.  
1333A North Ave. Suite 716  
New Rochelle, NY 10804  
Phone: 888-822-8275  
Fax: 914-560-2297

## Model **BCIM460**

### 460 lbs Commercial Ice Machine

## FEATURES & BENEFITS

Up to 460 lbs ice production per day

Clear, hard, cube-shaped ice

304 Stainless steel body

Air cooled condenser

Stackable for increased production

Electronic controls, runs on standard household current

Uses CFC-free R404A refrigerant

NSF approved, UL listed for commercial use

Shown  
with  
Optional  
430 lbs bin



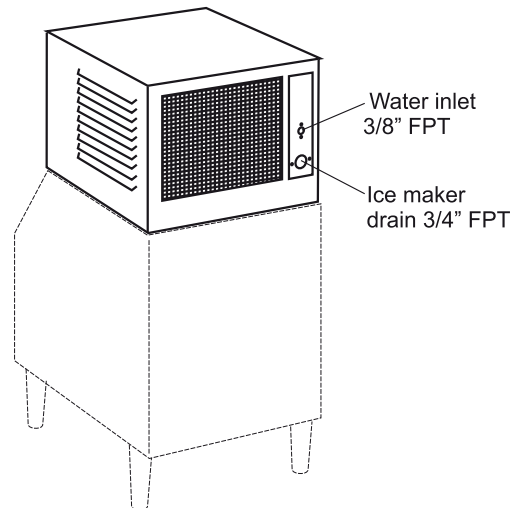
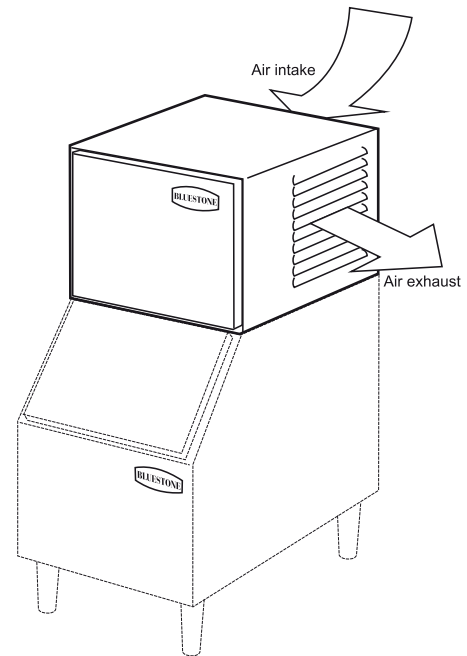


LMS Worldwide, Inc.  
 1333A North Ave. Suite 716  
 New Rochelle, NY 10804  
 Phone: 888-822-8275  
 Fax: 914-560-2297

# Model BCIM460

## 460 lbs Commercial Ice Machine

| MODEL NUMBER                         | BCIM460                  |
|--------------------------------------|--------------------------|
| Description                          | Ice Machine              |
| Electrical Power                     | 115VAC~ 60Hz 1Ph         |
| Power Consumption                    | 8.3 kWh/100 lbs of ice   |
| Ice making/Ice harvest rated current | 12.4A / 15.3A            |
| Water Inlet                          | 3/8" FPT                 |
| Unit Size (W x D x H)                | 30" x 24" x 20.8"        |
| Unit Weight                          | 130 lbs                  |
| Packed Weight                        | 148 lbs                  |
| Packed Size (W x D x H)              | 32" x 26" x 27.75"       |
| Refrigerant                          | R404a                    |
| Ice Production                       | 460* / 336** lbs per day |
| Ice Cube Shape                       | Cube                     |
| Ice Cube Size                        | 3/4" x 1" x 3/4"         |
| UPC Number                           | 857244002075             |
| 20' Container                        | 75 Units                 |
| 40' Container                        | 150 Unit                 |



\*70° F air & 50° F water / \*\*90° F air & 70° F water. Actual quantity of ice produced per day will vary with room and water conditions. Specifications and design subject to change without notice.