



Item No. _____

340

Frozen Uncarbonated Beverage (FUB) Freezer

Single Flavor

Features

Vary your menu by offering smoothies or frozen cocktails, fruit juices, coffees, cappuccino and tea slush beverages, all served at the desired thickness.

Freezing Cylinder

One, 7 quart (6.6 liter).

Mix Hopper

One, 20 quart (18.9 liter). Optional refrigerated hopper approved for dairy products.

Indicator Light

Add Mix light alerts the operator to add mix.

Automatic Consistency Control

A specially designed viscosity control automatically maintains superior product quality. Adjustable control allows the operator to serve a wide variety of frozen beverages at the desired thickness.

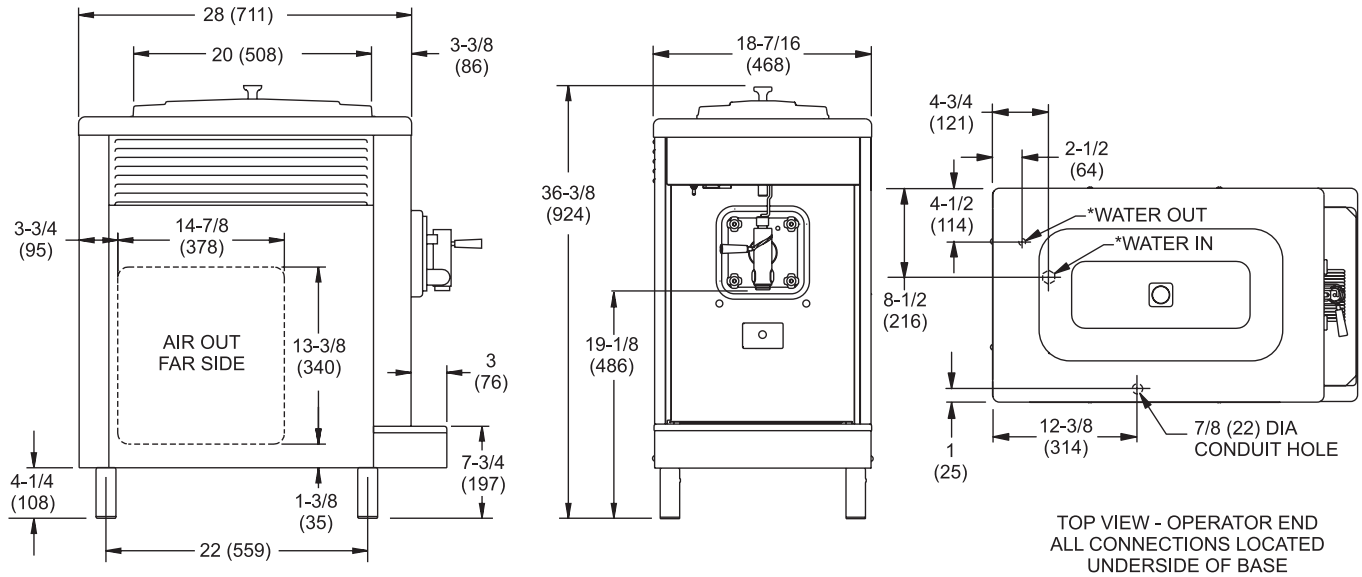


Rockton, Illinois 61072
800-255-0626
Phone 815-624-8333 Fax 815-624-8000
www.taylor-company.com
e-mail: info@taylor-company.com

International Office
Taylor Company S.r.l.
Roma, Italy
Tel: **+39-06-420-12002** Fax: +39-06-420-12034
e-mail: romeoff@taylor-company.com

ISO 9001:2000
Registered Firm

340 Frozen Uncarbonated Beverage (FUB) Freezer



NOTES:
FIGURES IN PARENTHESES INDICATE MILLIMETERS.
*WATER COOLED ONLY

Weights	lbs.	kgs.
Net	253	114.8
Crated	321	145.6
	cu. ft.	cu. m.
Volume	20.0	0.56

Dimensions	in.	mm.
Width	18-7/16	468
Depth	31	787
Height	36-3/8	924
Counter Clearance	4-1/4	108

*Mounted on standard legs

Electrical	Maximum Fuse Size	Minimum Circuit Ampacity	Poles (P) Wires (W)
115/60/1 Air	30	20	2P 3W
115/60/1 Water	25	18	2P 3W
208-230/60/1 Air	20	14	2P 3W
208-230/60/1 Water	20	14	2P 3W
220-240/50/1 Air	15	11	2P 3W

This unit may be manufactured in other electrical characteristics. Refer to the local Taylor Distributor for availability.
(For exact electrical information, always refer to the data label of the unit.)

Bidding Specs

Electrical: Volt _____ Hz _____ ph _____
Neutral: Yes No Cooling: Air Water NA

Options: _____

Specifications

Electrical

One dedicated electrical connection is required. See the Electrical chart for the proper electrical requirements. Manufactured to be permanently connected. Consult your local Taylor distributor for cord & receptacle specifications as local codes allow.

Beater Motor

One, 1/4 HP

Refrigeration System

115 volt, one, 6,000 BTU/hr. R404A.
All other electrical characteristics; one, 7,500 BTU/hr. R404A.
(BTUs may vary depending on compressor used.)

Air Cooled

Minimum Clearance: 6" (152 mm) on both sides. Install the skirt provided and place the rear of the unit against the wall to prevent recirculation of warm air. Minimum air clearances must be met to assure adequate air flow for optimum performance.

Water Cooled

Water inlet and drain connections under side of base 3/8" FPT.

Options

- Available as Model 340D, with Refrigerated Hopper, 1/2 HP Beater Motor, and Beater Cycle Timer. Maintains mix below 41°F (5°C). Approved for dairy and non-dairy products.
- Remote Auto Fill System
- Syrup Jars and Brackets

Continuing research results in steady improvements; therefore, these specifications are subject to change without notice.



Taylor Company,
A Division of Carrier Commercial Refrigeration, Inc.
Rockton, Illinois 61072
815-624-8333 800-255-0626 Fax 815-624-8000
www.taylor-company.com

Printed in U.S.A.