



Job: \_\_\_\_\_

Item No. \_\_\_\_\_

## DESIGNED FOR LOWER VOLUME APPLICATIONS

Two - 4 oz. Servings per Minute - 7 Quart Capacity

### GREAT FOR CAFES, RESTAURANTS, AND PRODUCT SAMPLING

The **SaniServ** model 407 Soft Serve Freezer is perfect for providing small servings, samplers, and adding a-la-mode to favorite desserts. The 407 is an economical addition to any restaurant with its affordable price and space saving countertop solution. The 407 is always a favorite among operators to supply a limited amount of soft serve ice cream and frozen yogurt products to keep customers coming back for more treats!

### SPACE SAVING

**Small Footprint Design - SaniServ** model 407 saves valuable floor space and turns the countertop into a real profit center by serving high profit ice cream and yogurt products.

### EASY CLEANING AND OPERATION

**Fewer Parts = Simplified Cleaning – SaniServ** equipment is designed and built with the fewest parts to be disassembled, cleaned and sanitized than any other machine in the industry.

### HIGH RETURN ON INVESTMENT

**Increased Profits – SaniServ** machines combine efficiency with consistent product quality and fast, quiet operation while insuring customer satisfaction with high profit ice cream or yogurt products.

### QUALITY DESIGN

**Durability – SaniServ** machines are built to achieve long and dependable life through simplicity of design. Every machine is shipped standard with a stainless steel exterior, durable steel interior frame construction, heavy-duty components and consistency systems.

# Model 407

Counter Model  
**Soft Serve**  
Ice Cream / Yogurt Machine

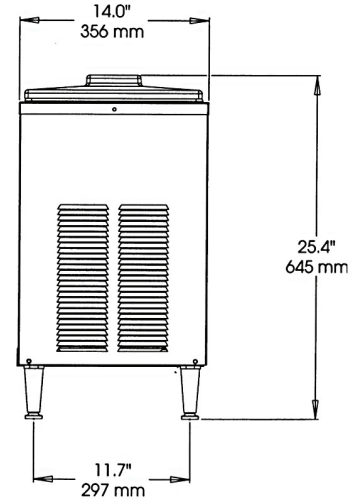
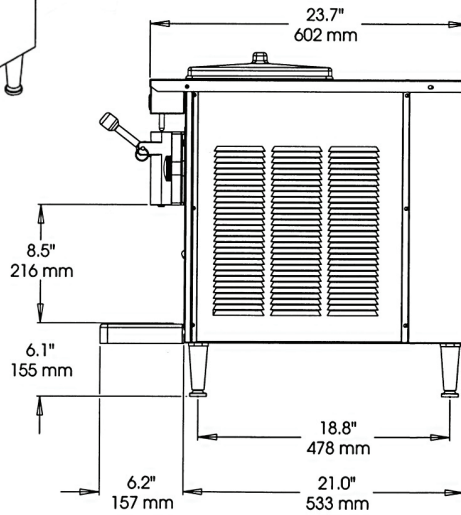
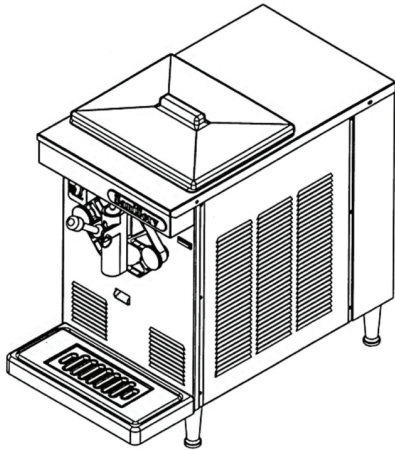


Made in USA

We reserve the right to change specifications and product designs without notice. Such revisions do not entitle the buyer to corresponding changes, improvements, additions or replacements for previously purchased equipment.

# MODEL 407

## Counter Model Soft Serve/Yogurt Freezer



Minimum Wall Clearance  
Both Sides and Back -  
6 inches (152 mm)

ELECTRICAL				WIDTH	HEIGHT	DEPTH	WEIGHT	VOLUME
VOLTS	Hz	Ph.	Amps	INCHES (MM)	INCHES (MM)	INCHES (MM)	LBS. (Kg)	CU FT. (cu. m.)
115	60	1	15	14 (356)	25.4 (645)	23.7 (602)	145 (66)	
208-230	60	1	10					
220-240	50	1	10					
Shipping Specifications				22.5 (571)	31.5 (800)	34.5 (876)	195 (89)	8.6 (.25)

### Specifications:

**Cooling System:**

Air Only

**Dasher and Compressor Motors:**

1/2 HP Dasher  
1/2 HP Compressor

**Refrigerant Type:**

R404A

**Listings:**

UL, cUL, NSF

### Features:

**Evaporator and Mix Reservoir**

**Capacity:**  
7 Quarts (9.5 liters)

**Dasher:**

Heavy-Duty Stainless Steel with low friction scraper blades.

**Controls:**

Automatic consistency controls for improved consistency.

**Tamper Proof Automatic Visual Mix Out System**

### Warranty:

Parts 1 year  
Compressor 5 years  
Evaporator 5 years

### Options:

Tune Up Kit  
Machine Stand  
Export Voltages